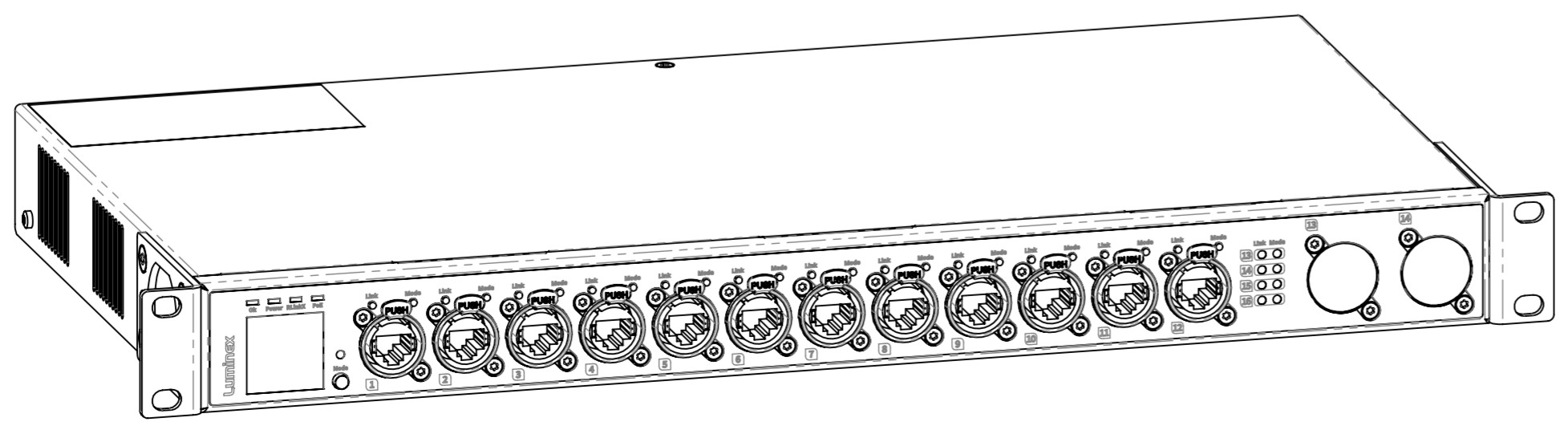
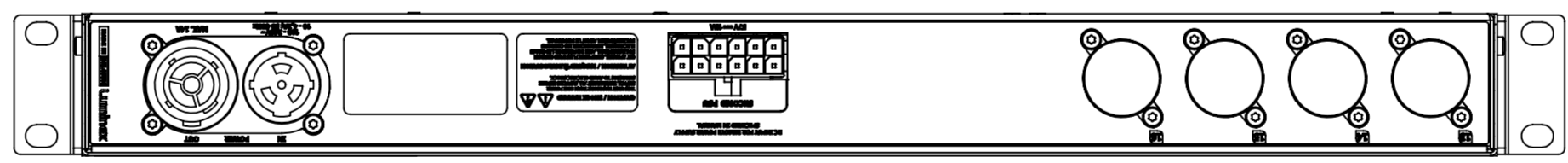
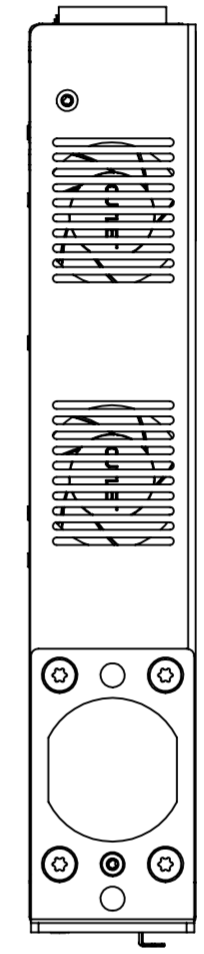
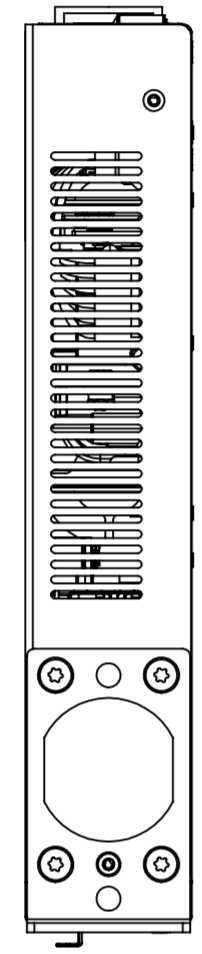
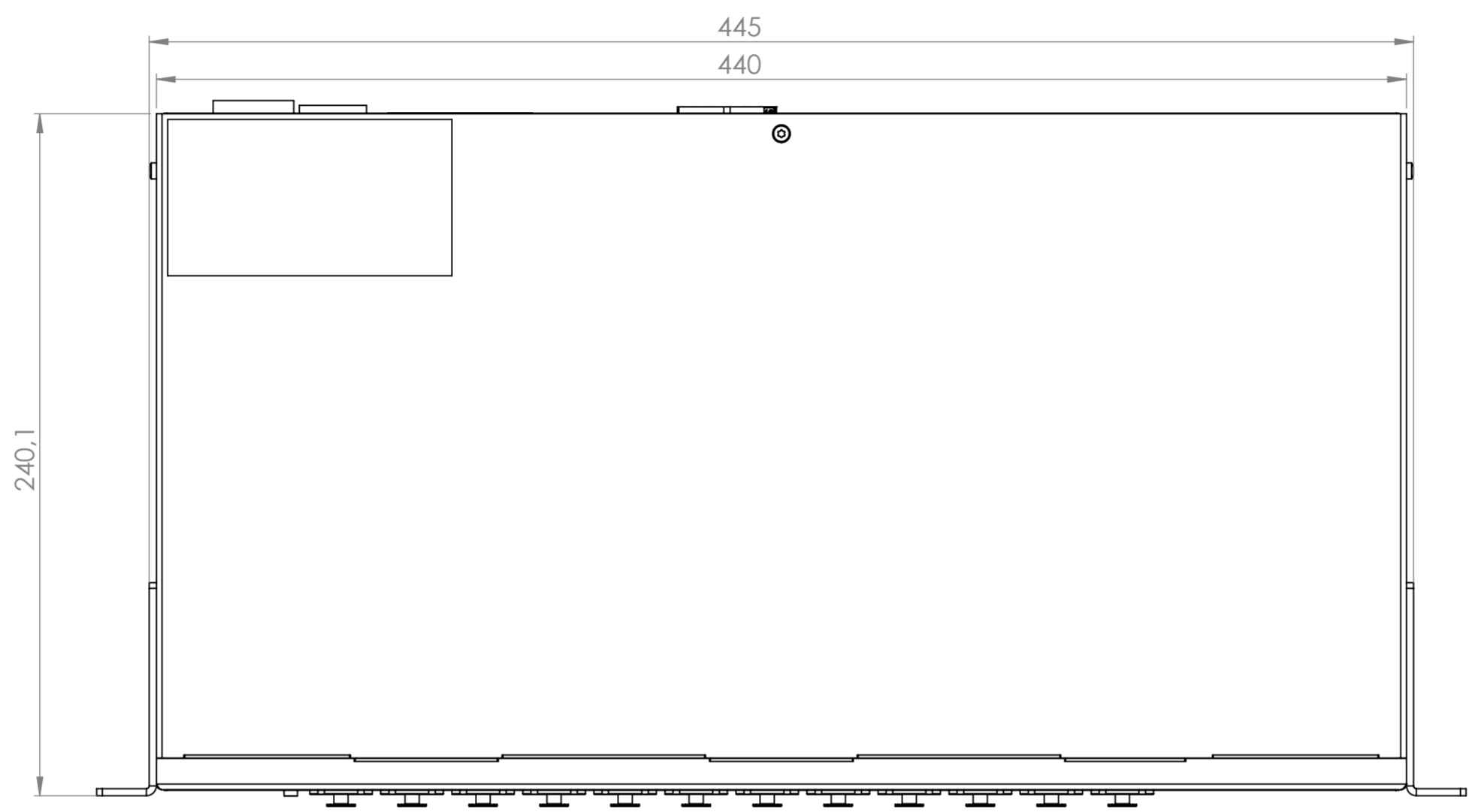
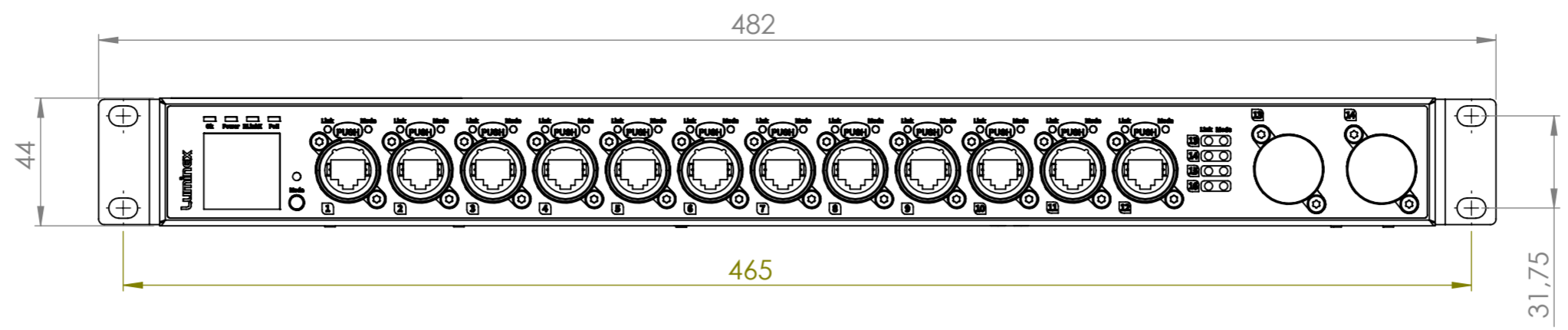


UNLESS OTHERWISE SPECIFIED: DIMENSIONS ARE IN MILLIMETERS SURFACE FINISH: TOLERANCES: LINEAR: ANGULAR:		FINISH:	DEBUR AND BREAK SHARP EDGES		
MATERIAL:		TITLE: <b>GC 16 TF</b>			
DRAWN:		DWG NO. <b>lu_01_00100</b>		REVISION	REV. DATE
NAME	SIGNATURE	DATE	WEIGHT: 2064.63 g	SCALE: 1:1	SHEET 1 OF 9
JR					A2

12 11 10 9 8 7 6 5 4 3 2 1

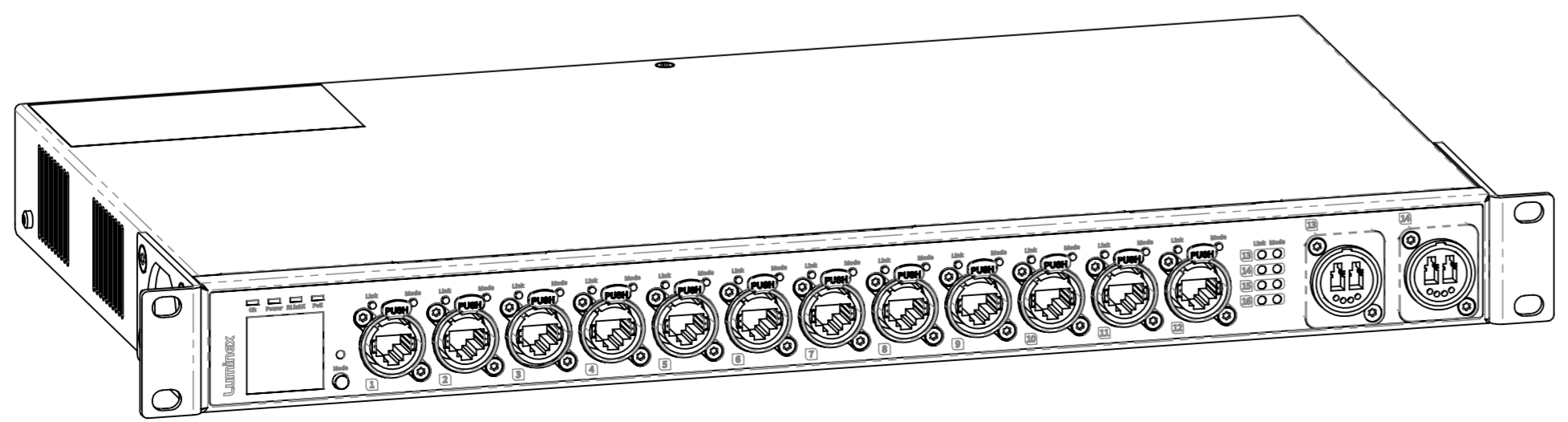
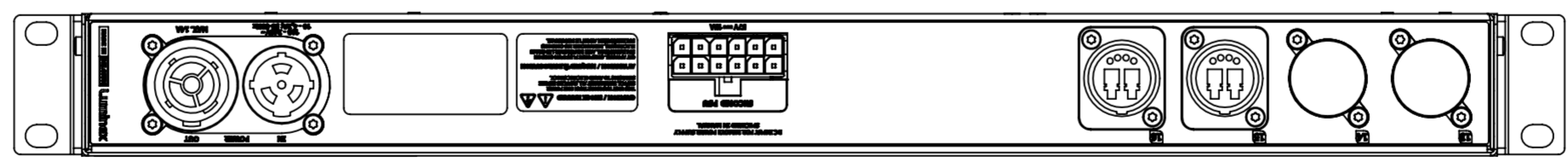
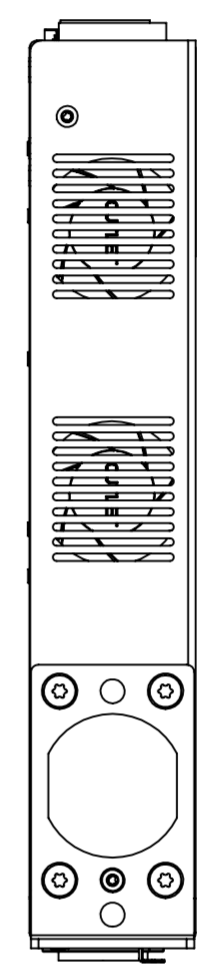
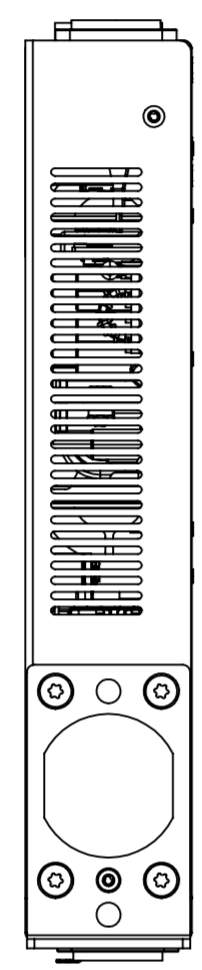
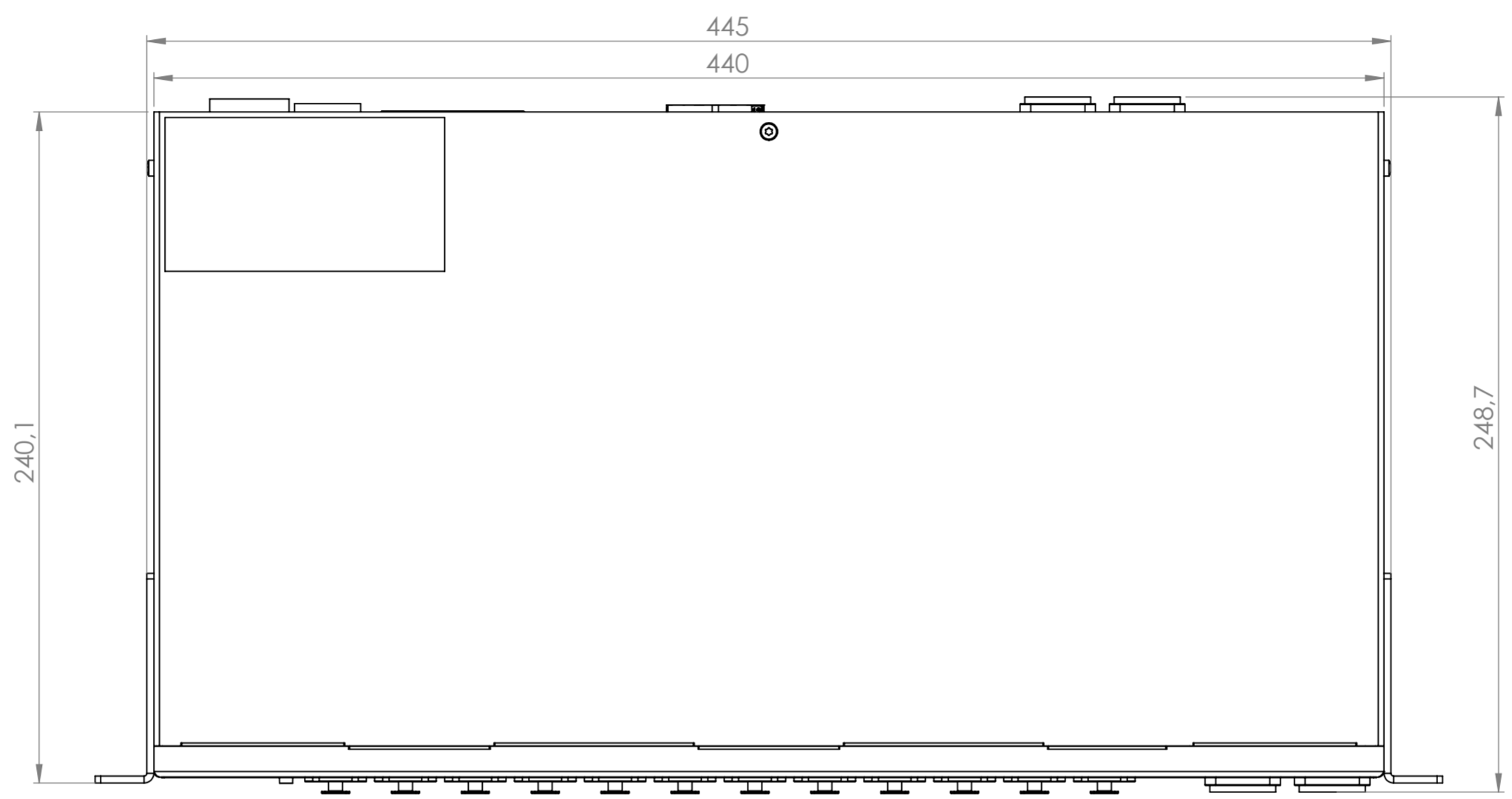
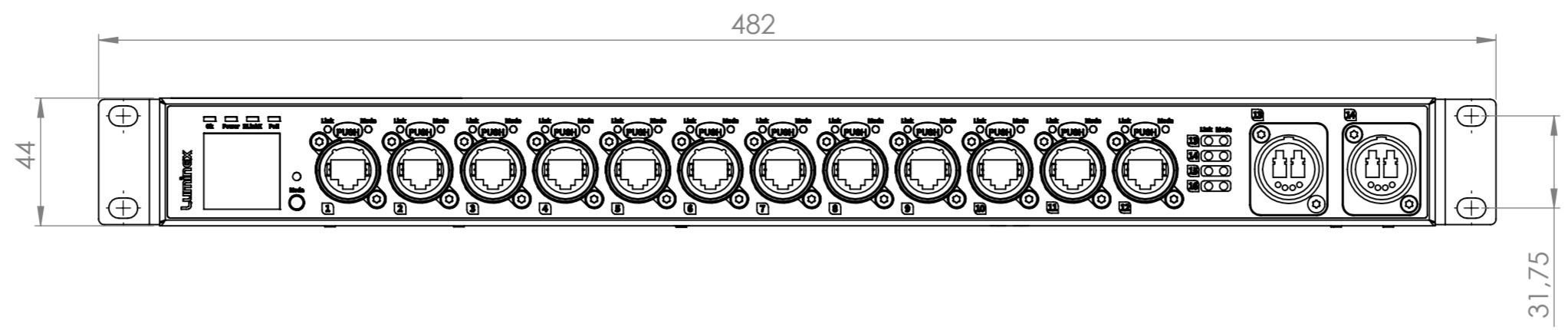
H  
G  
F  
E  
D  
C  
B  
A



UNLESS OTHERWISE SPECIFIED: DIMENSIONS ARE IN MILLIMETERS SURFACE FINISH: TOLERANCES: LINEAR: ANGULAR:			FINISH:	 FIRST ANGLE PROJECTION	
MATERIAL:			TITLE:		
DRAWN:			NAME:	DATE:	REVISION
JR			SIGNATURE:	DATE:	REV. DATE
WEIGHT: 2064.63 g			SCALE: 1:2		A2

DWG NO. lu\_01\_00100

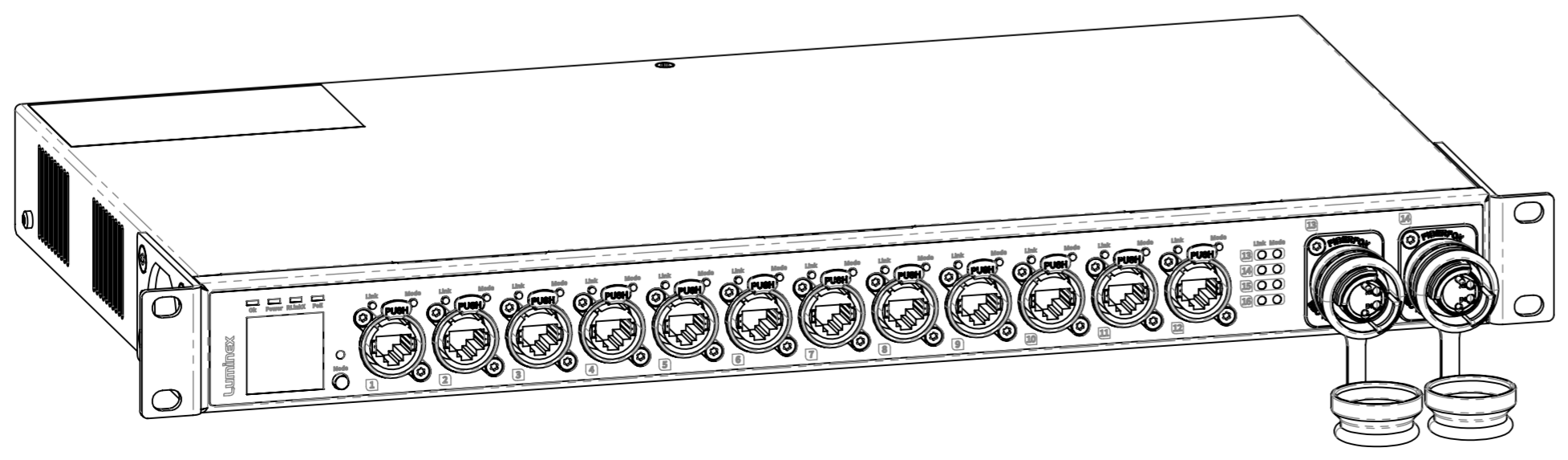
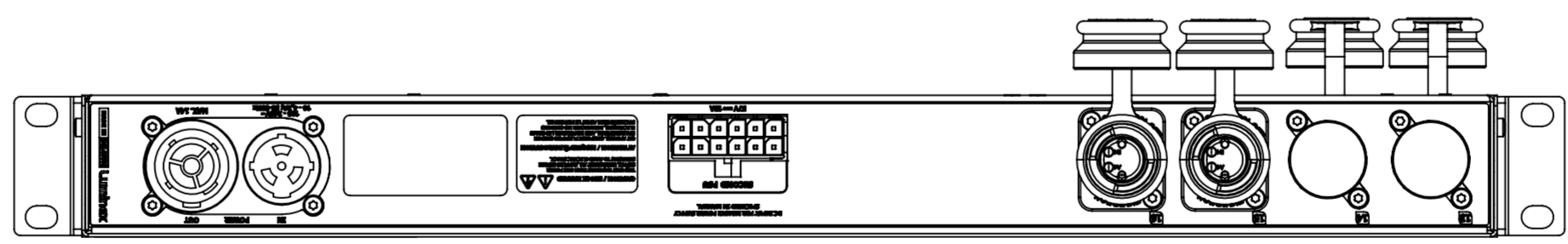
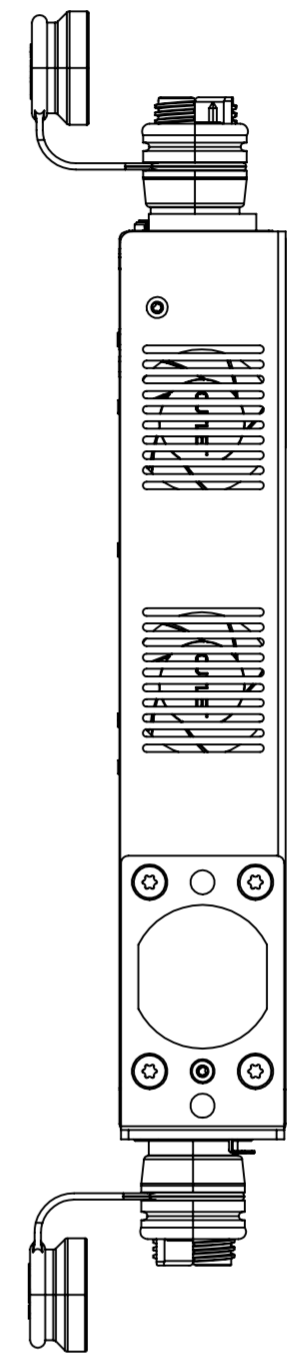
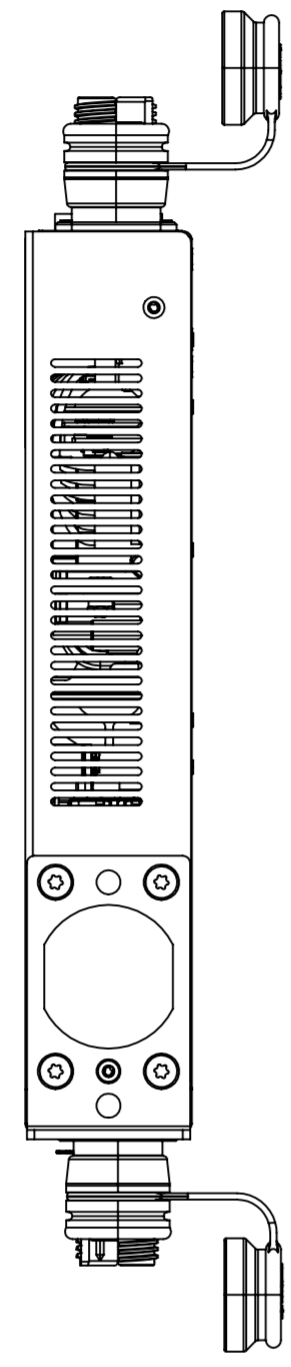
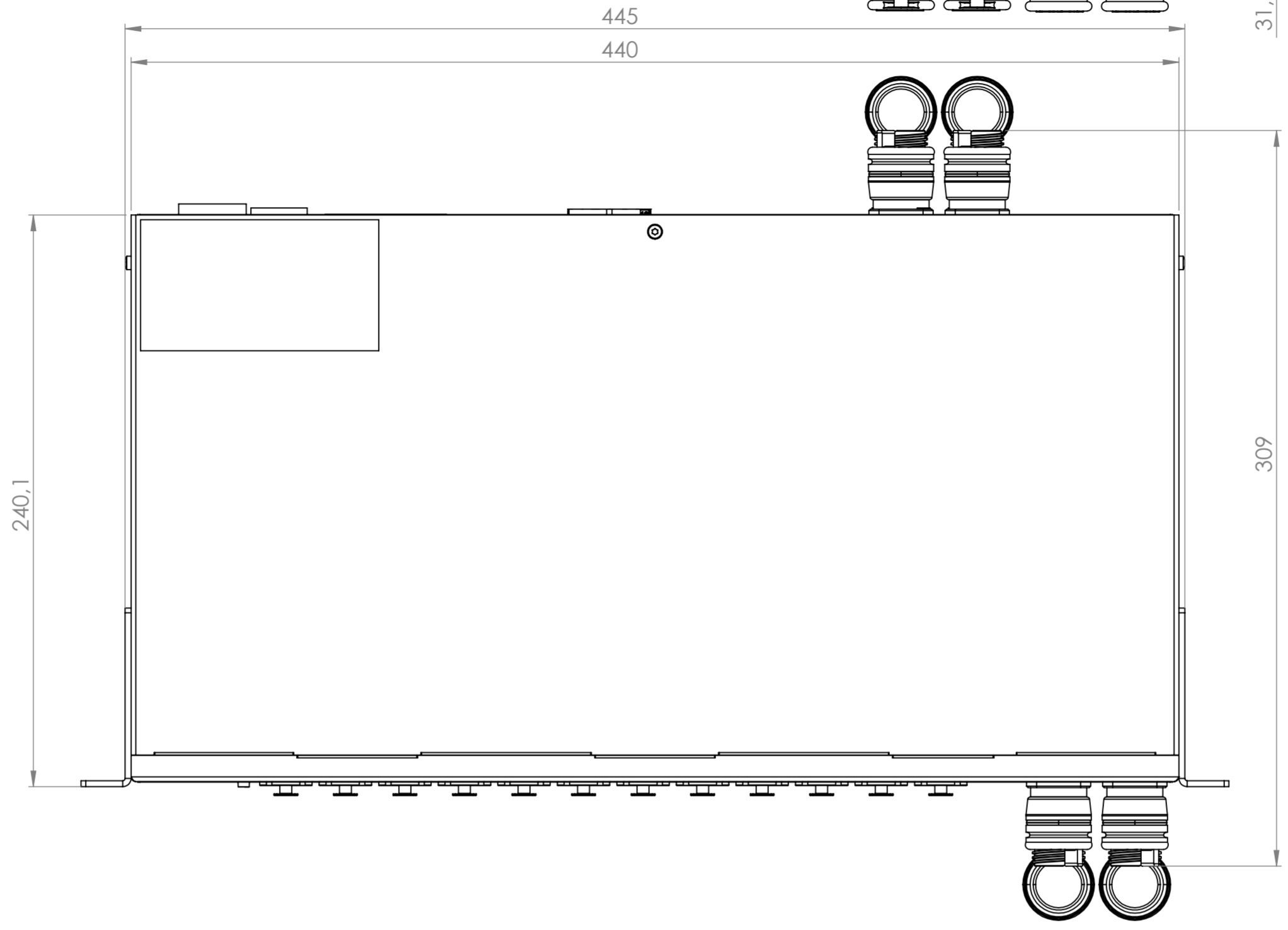
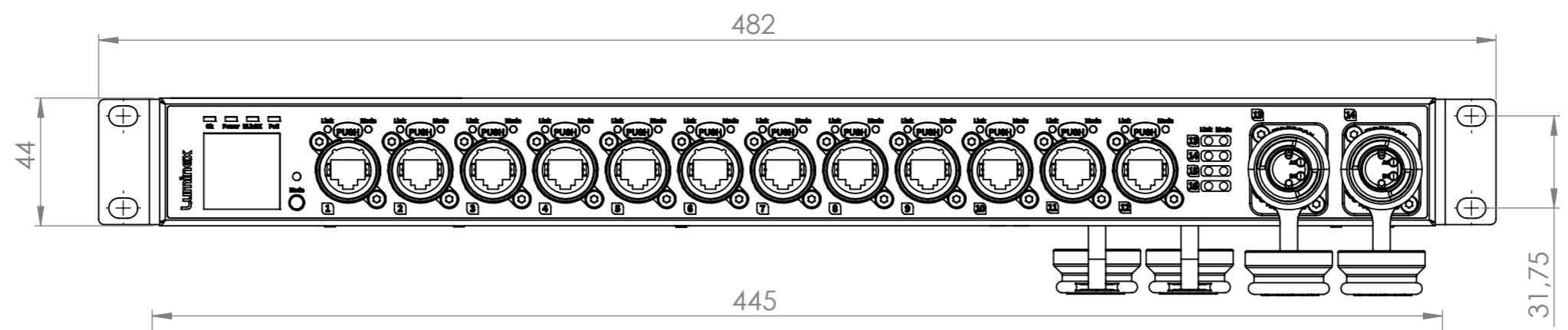
12 11 10 9 8 7 6 5 4 3 2 1



UNLESS OTHERWISE SPECIFIED: DIMENSIONS ARE IN MILLIMETERS SURFACE FINISH: TOLERANCES: LINEAR: ANGULAR:			FINISH:	 FIRST ANGLE PROJECTION	
MATERIAL:			TITLE:		
DRAWN:			NAME:	DWG. NO. <b>lu_01_00100</b>	REVISION
JR			SIGNATURE:	SCALE: 1:2	REV. DATE
DATE:			WEIGHT: 2064.63 g	SHEET 3 OF 9	A2

12 11 10 9 8 7 6 5 4 3 2 1

H  
G  
F  
E  
D  
C  
B  
A

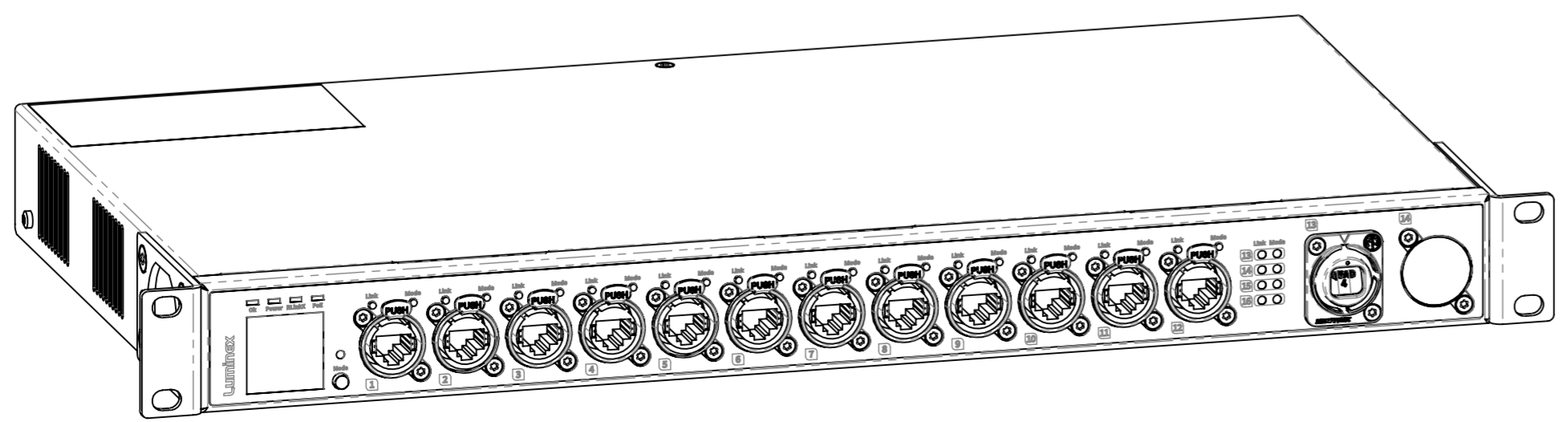
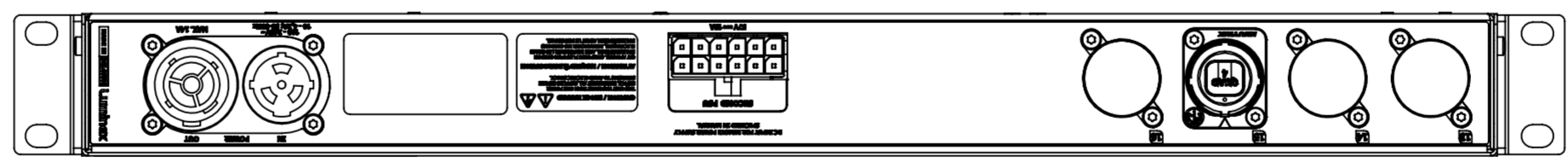
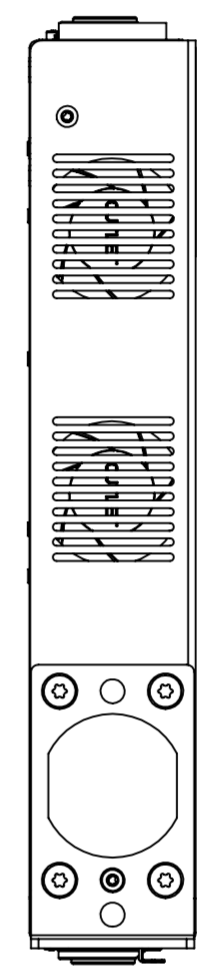
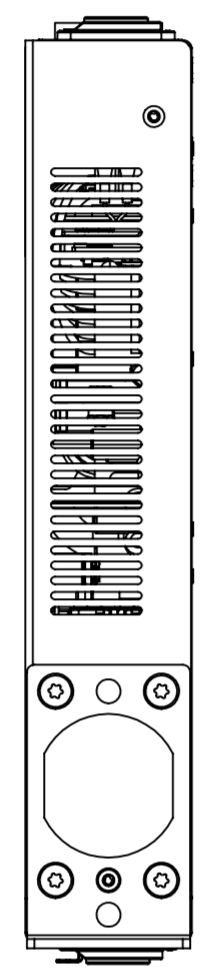
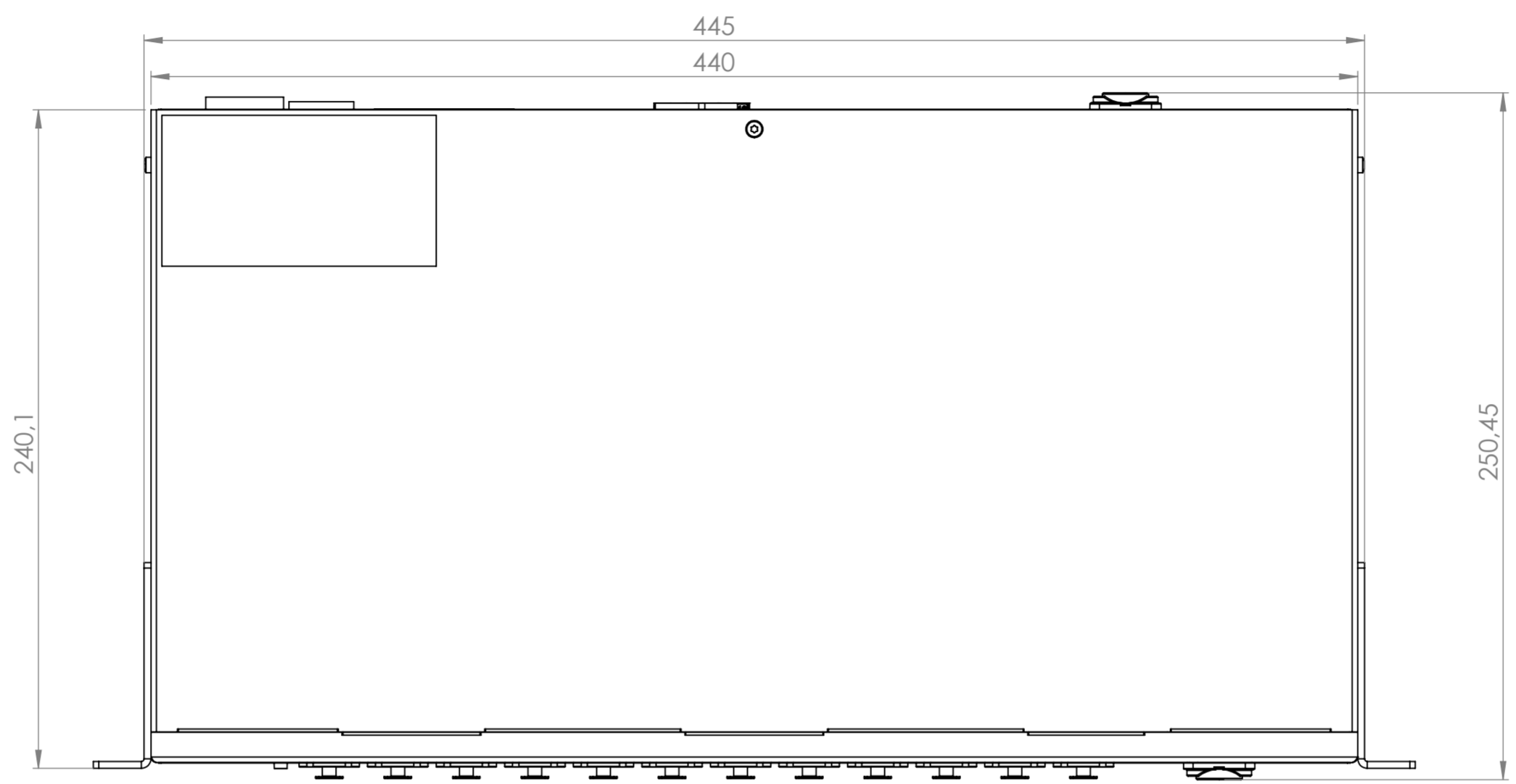
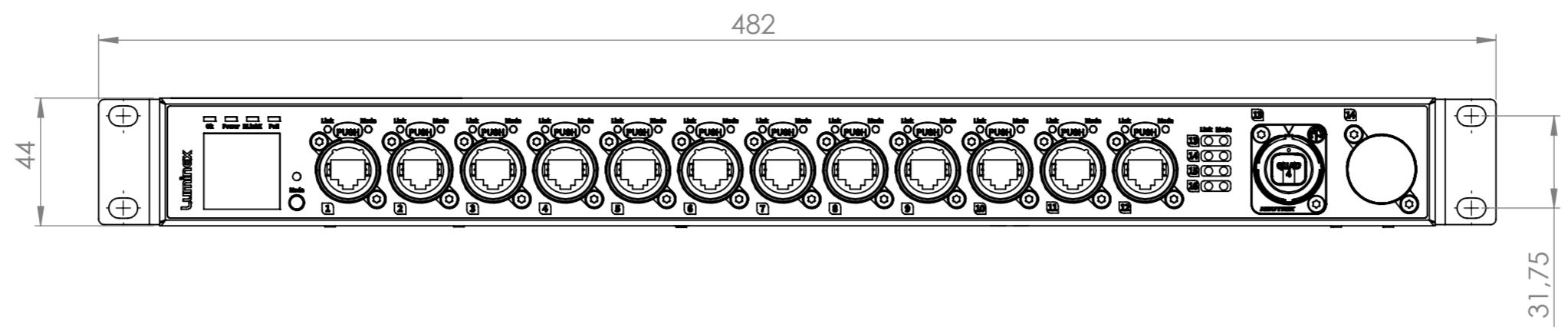


UNLESS OTHERWISE SPECIFIED: DIMENSIONS ARE IN MILLIMETERS SURFACE FINISH: TOLERANCES: LINEAR: ANGULAR:			FINISH:	 FIRST ANGLE PROJECTION	
MATERIAL:			TITLE:		
DRAWN:			NAME:	DATE:	REVISION:
DRAWN:			SIGNATURE:	DATE:	REV. DATE:
DRAWN:			DATE:	WEIGHT: 2064.63 g	SCALE: 1:2
DRAWN:			DATE:	SCALE: 1:2	SHEET 4 OF 9
DRAWN:			DATE:	SCALE: 1:2	A2

12 11 10 9 8 7 6 5 4 3 2 1



12 11 10 9 8 7 6 5 4 3 2 1



UNLESS OTHERWISE SPECIFIED: DIMENSIONS ARE IN MILLIMETERS SURFACE FINISH: TOLERANCES: LINEAR: ANGULAR:			FINISH:	 FIRST ANGLE PROJECTION	
MATERIAL:			TITLE:		
DRAWN:			NAME:	DATE:	REVISION
DRAWN:			JR		REV. DATE
WEIGHT: 2064.63 g			SCALE: 1:2		SHEET 5 OF 9
			DWG. NO. lu_01_00100		A2

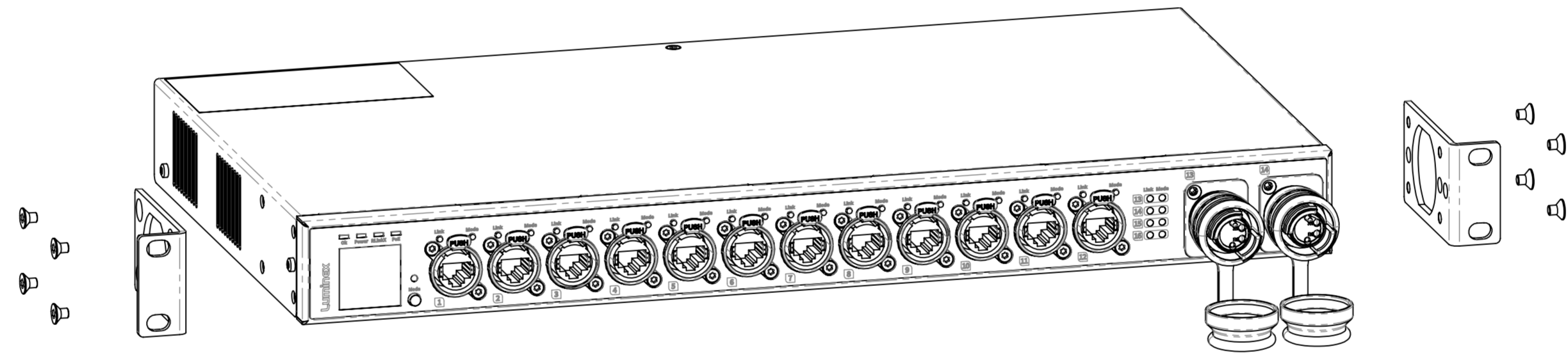
12 11 10 9 8 7 6 5 4 3 2 1

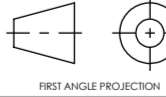

H  
G  
F  
E  
D  
C  
B  
A

H  
G  
F  
E  
D  
C  
B  
A

12 11 10 9 8 7 6 5 4 3 2 1

H  
G  
F  
E  
D  
C  
B  
A

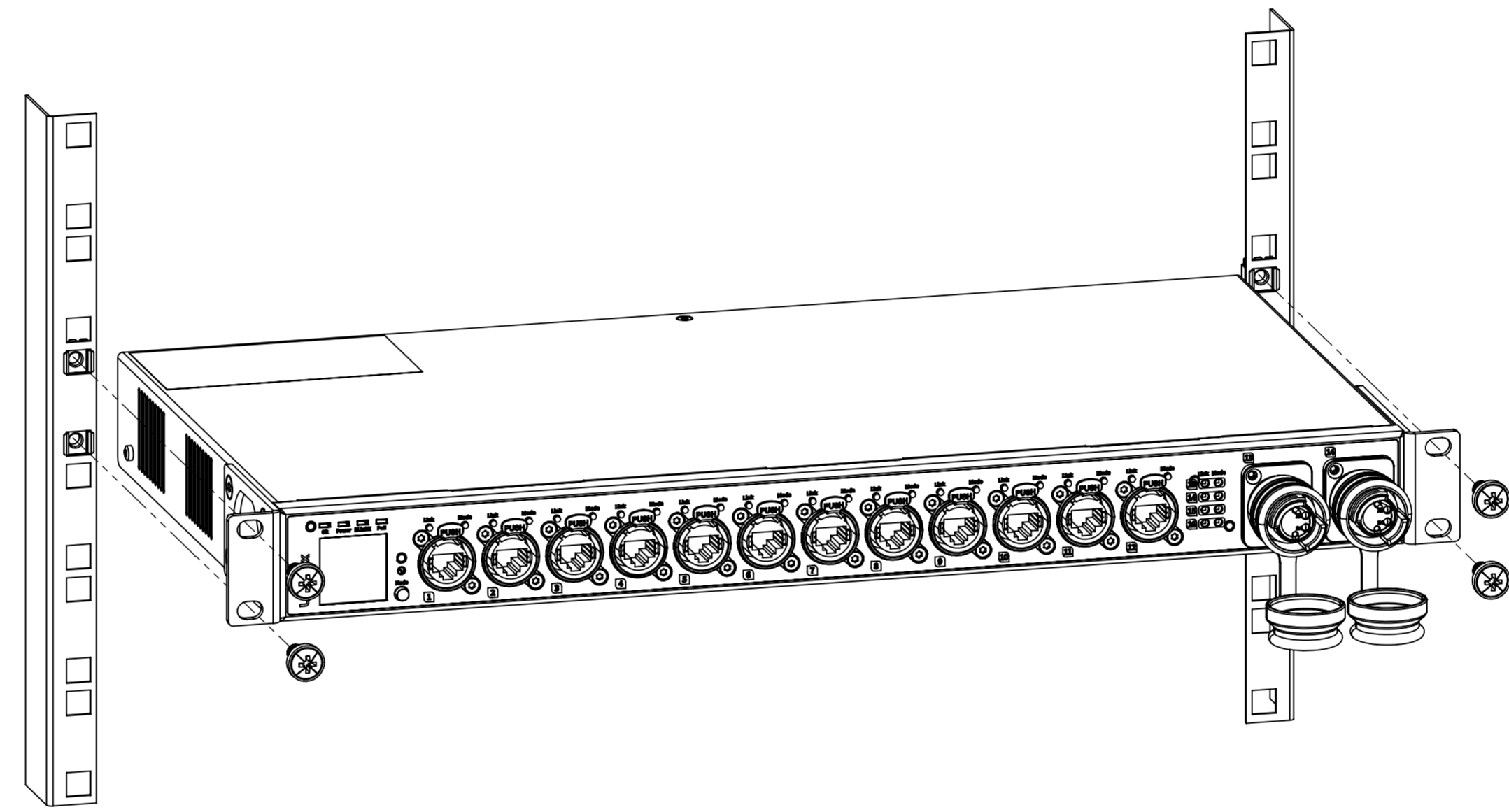


UNLESS OTHERWISE SPECIFIED: DIMENSIONS ARE IN MILLIMETERS			FINISH:		 FIRST ANGLE PROJECTION	DEBUR AND BREAK SHARP EDGES			
SURFACE FINISH:						TITLE:			
TOLERANCES:					DWG NO. <b>lu_01_00100</b>				
LINEAR:							SCALE: 1:2		SHEET 6 OF 9
ANGULAR:					WEIGHT: 2064.63 g				
DRAWN	NAME	SIGNATURE	DATE						
JR									

12 11 10 9 8 7 6 5 4 3 2 1

12 11 10 9 8 7 6 5 4 3 2 1

H  
G  
F  
E  
D  
C  
B  
A



UNLESS OTHERWISE SPECIFIED: DIMENSIONS ARE IN MILLIMETERS			FINISH:		FIRST ANGLE PROJECTION	DEBUR AND BREAK SHARP EDGES	<b>Luminex</b>
SURFACE FINISH:							
TOLERANCES: LINEAR: ANGULAR:					TITLE: <b>GC 16 TF</b>		
MATERIAL:							
			DWG. NO.		REVISION		REV. DATE
			<b>lu_01_00100</b>				
DRAWN	NAME	SIGNATURE	DATE	WEIGHT: 2064.63 g	SCALE: 1:2	SHEET 7 OF 9	
JR							A2

12 11 10 9 8 7 6 5 4 3 2 1