

12

11

10

9

8

7

6

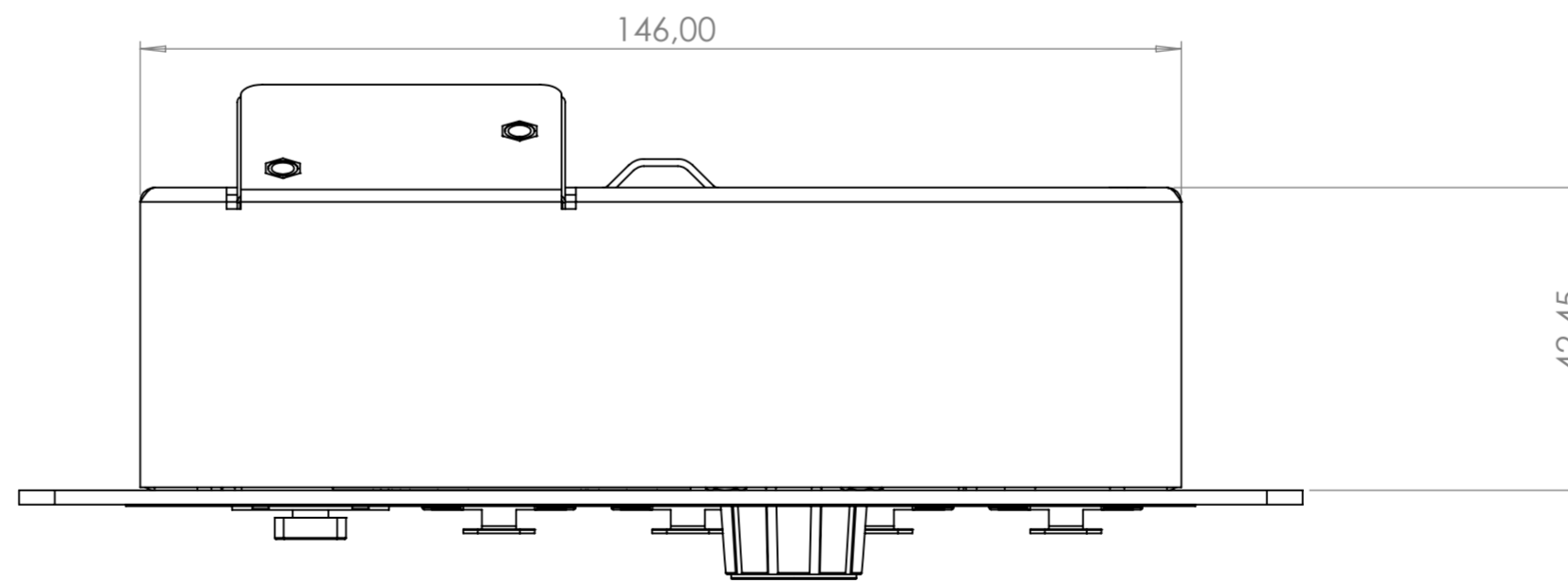
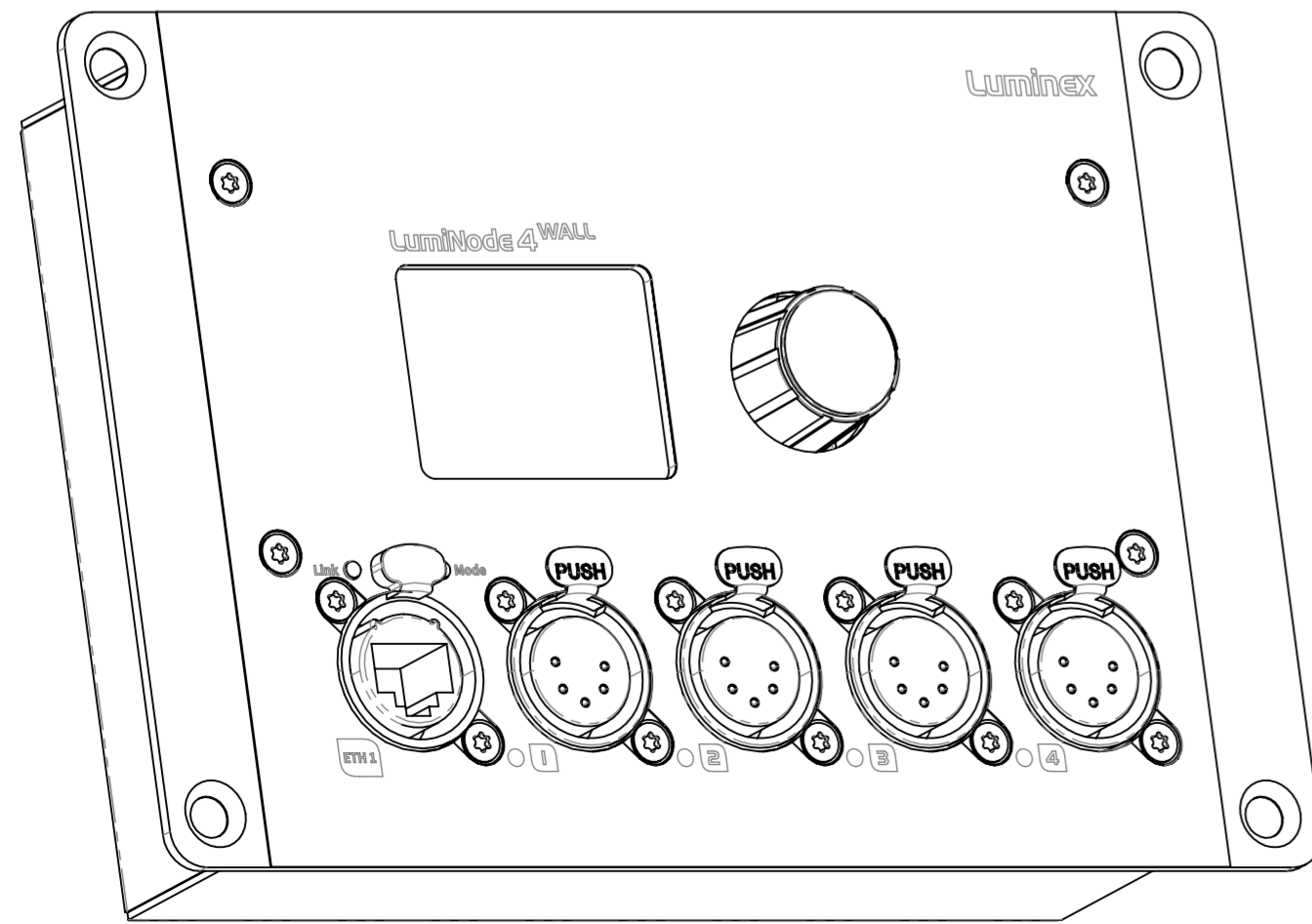
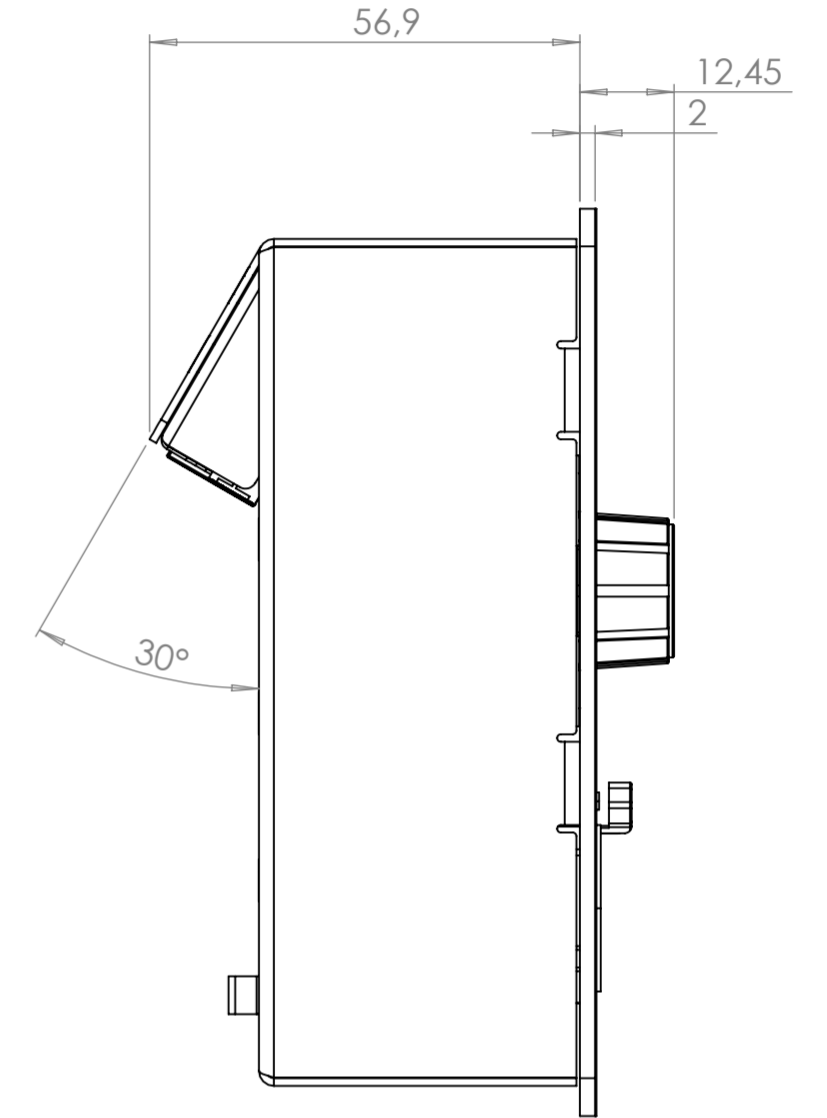
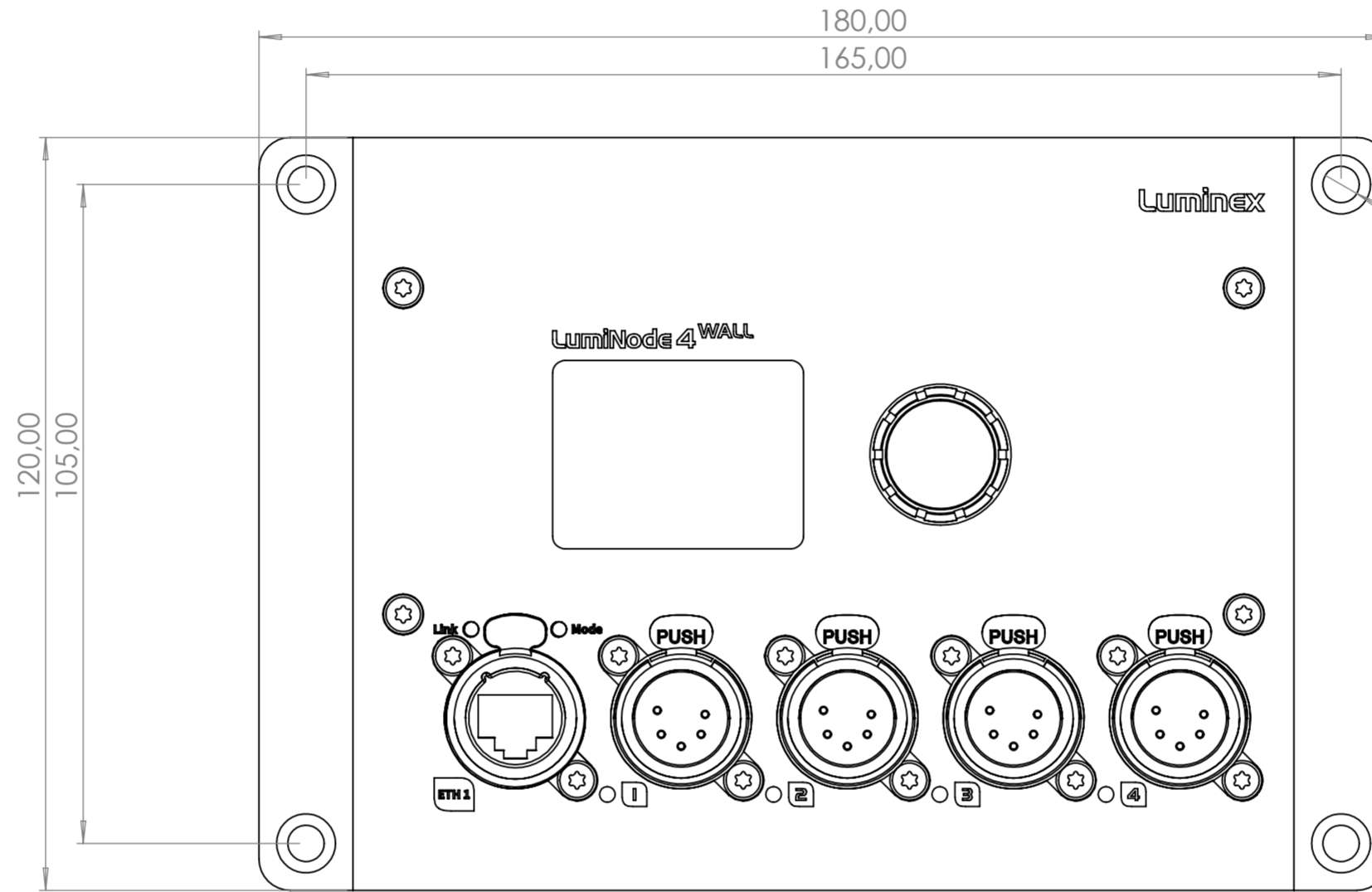
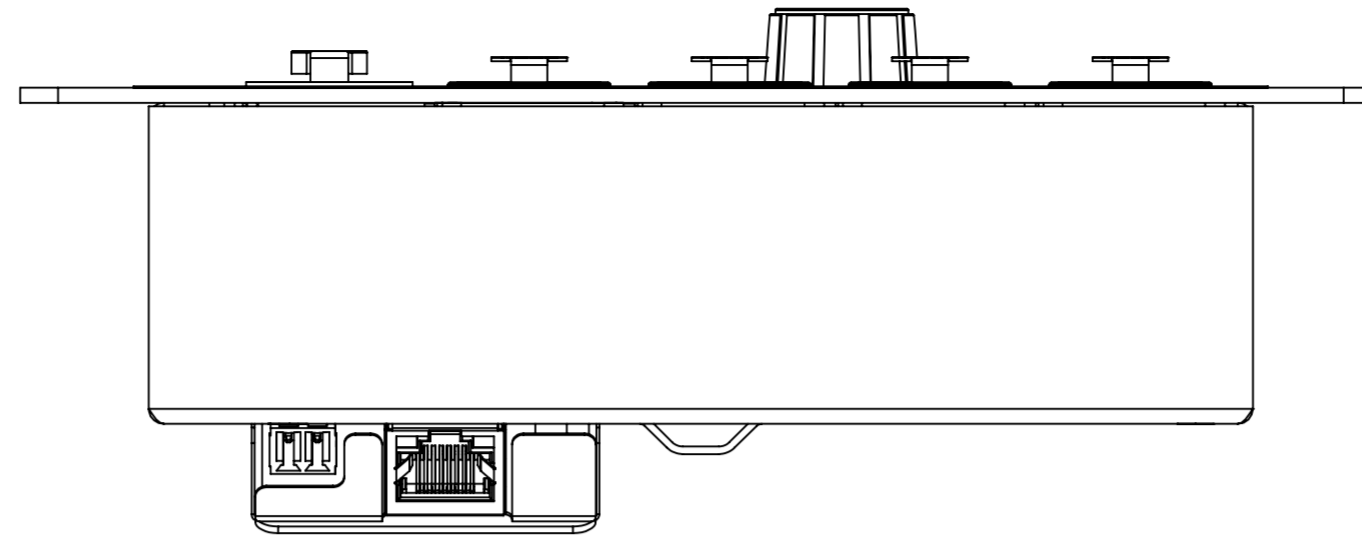
5

4

3

2

1



UNLESS OTHERWISE SPECIFIED: DIMENSIONS ARE IN MILLIMETERS SURFACE FINISH: TOLERANCES: LINEAR: ANGULAR:			FINISH:	 FIRST ANGLE PROJECTION	
MATERIAL:			TITLE: <b>LumiNode4 wall</b>		
DRAWN: JR			NAME: JR	SIGNATURE:	DATE: 20221201
WEIGHT:			DWG NO.: <b>lu_01_00086</b>		REVISION: 001
SCALE: 1:1			SHEET 1 OF 2		REV. DATE: 20221201
					A2

12

11

10

9

8

7

6

5

4

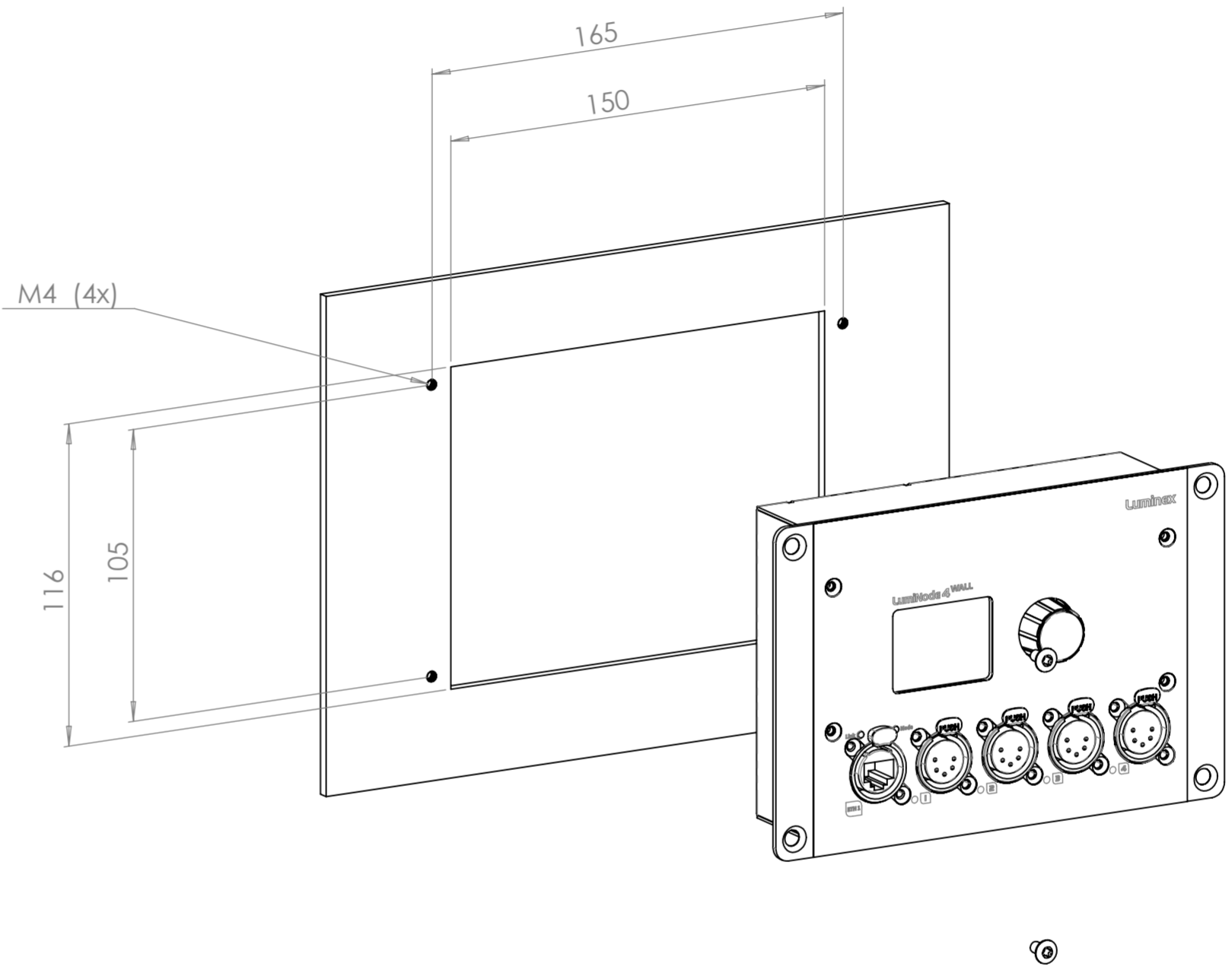
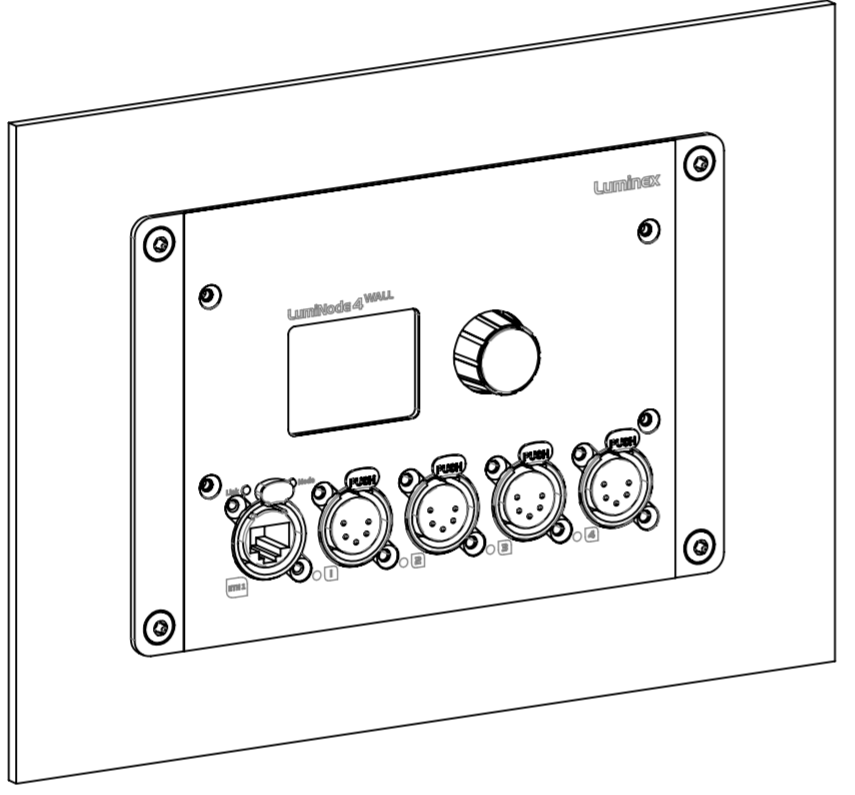
3

2

1

12 11 10 9 8 7 6 5 4 3 2 1

H  
G  
F  
E  
D  
C  
B  
A



UNLESS OTHERWISE SPECIFIED: DIMENSIONS ARE IN MILLIMETERS			FINISH:		FIRST ANGLE PROJECTION		DEBUR AND BREAK SHARP EDGES		<b>Luminex</b>	
MATERIAL:			TITLE: <b>LumiNode4 wall</b>							
			DWG. NO. <b>lu_01_00086</b>			REVISION 001		REV. DATE 2022 12 01		
DRAWN	NAME JR	SIGNATURE	DATE	WEIGHT:	SCALE: 1:1		SHEET 2 OF 2		A2	

12 11 10 9 8 7 6 5 4 3 2 1