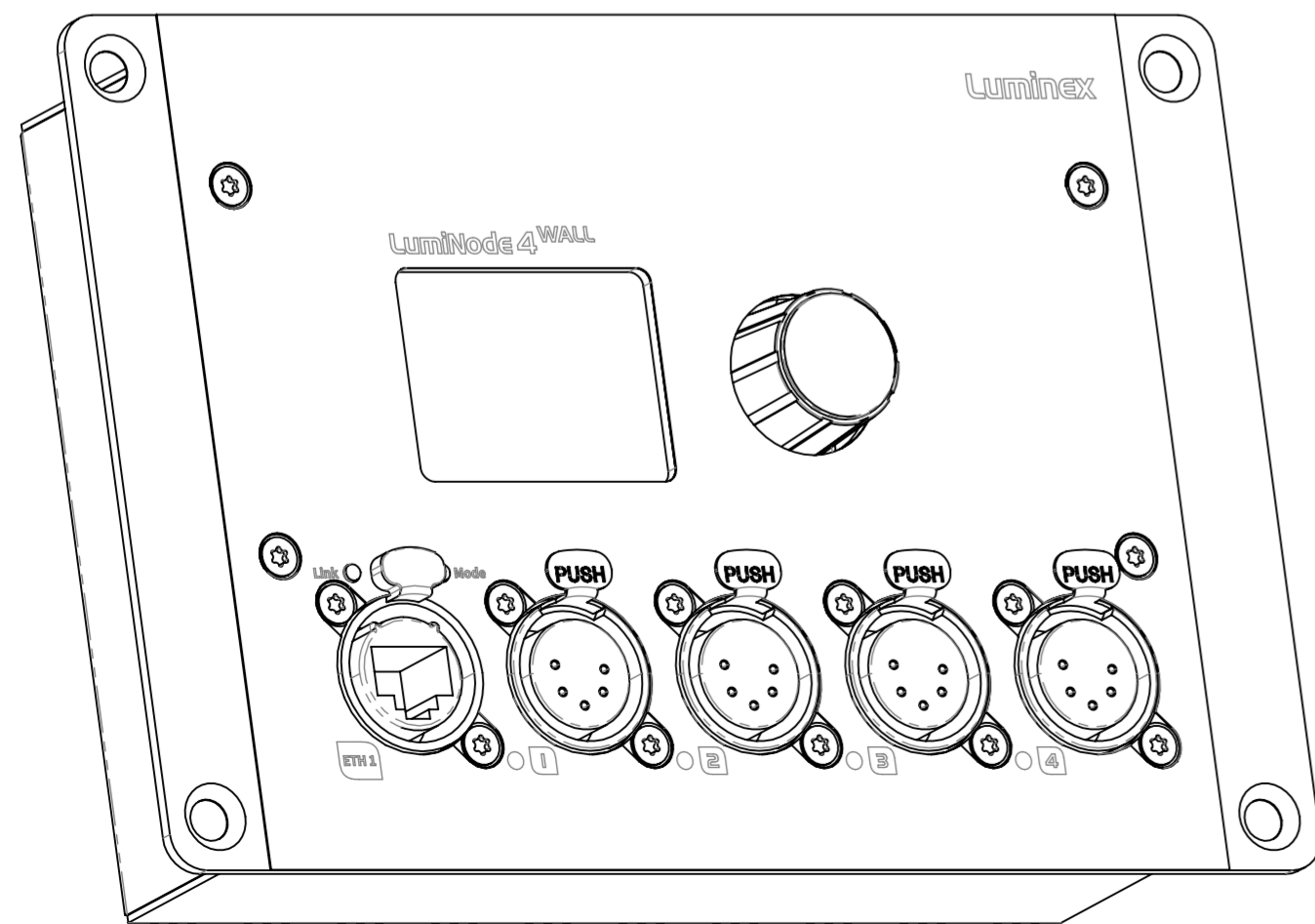
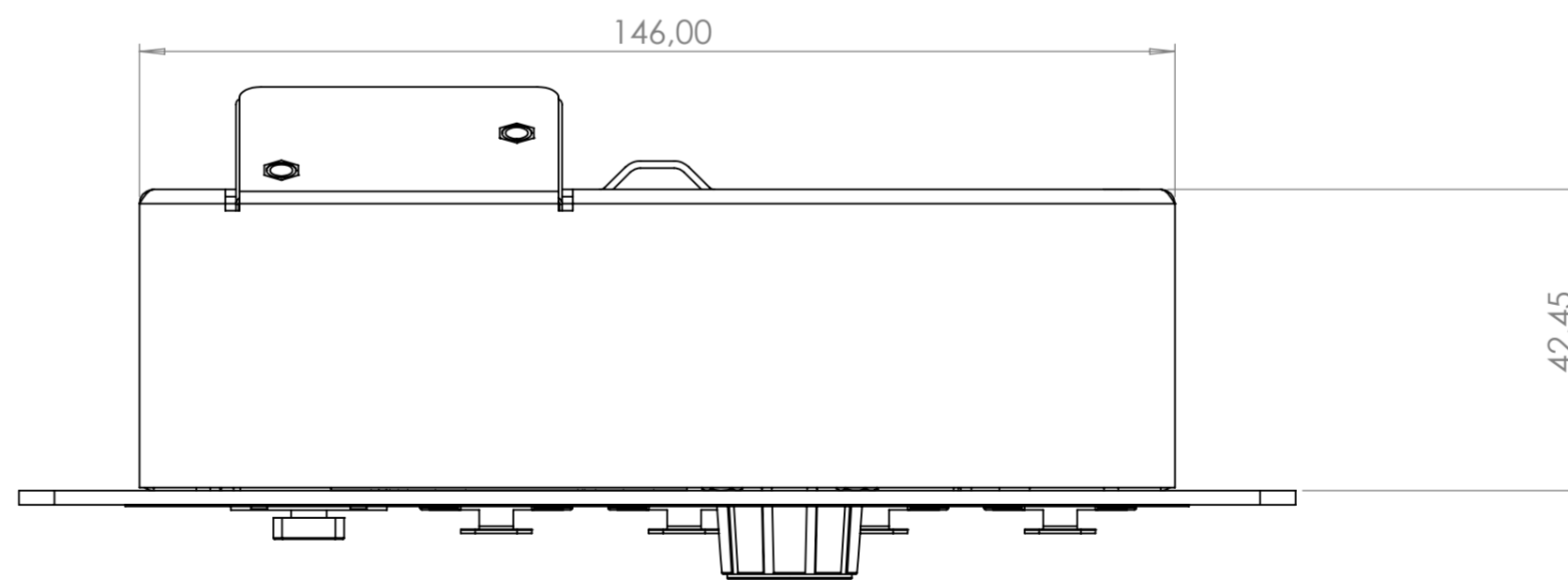
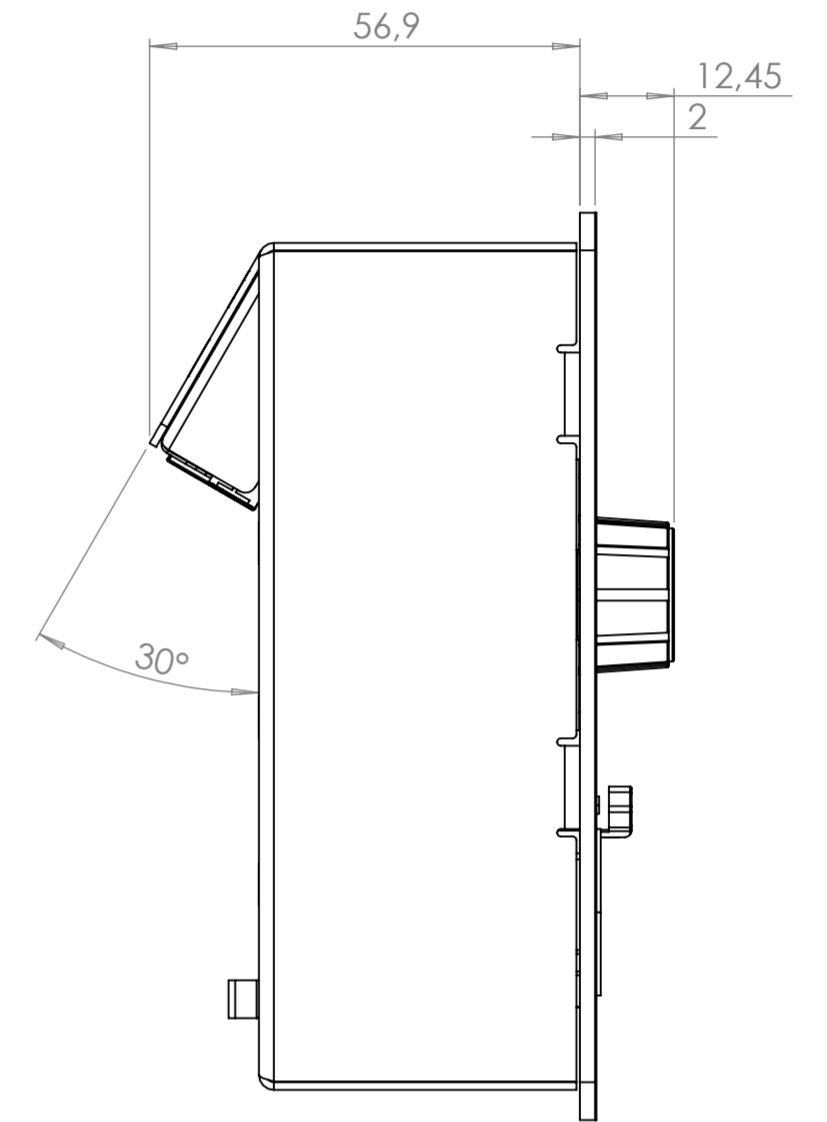
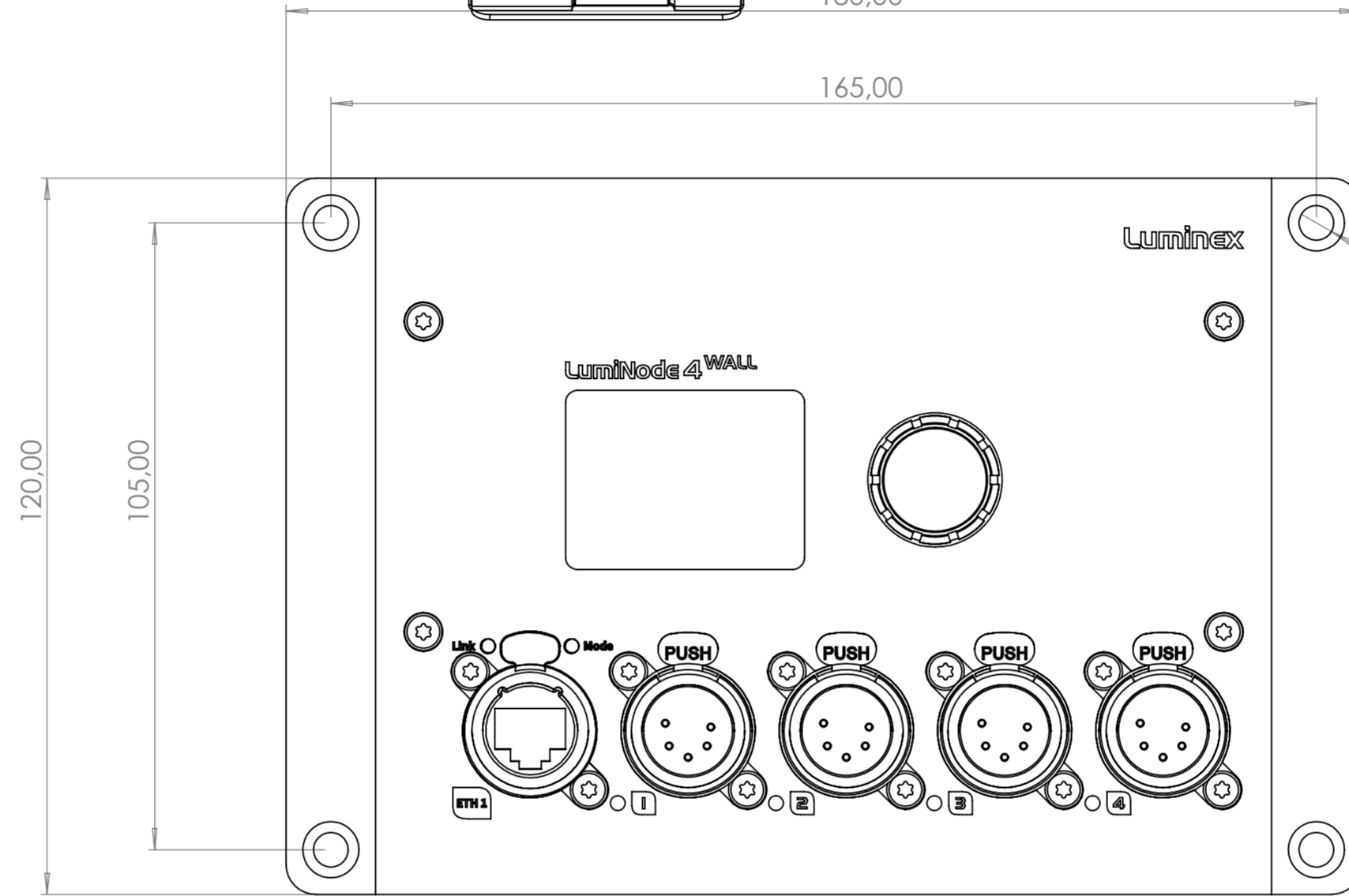
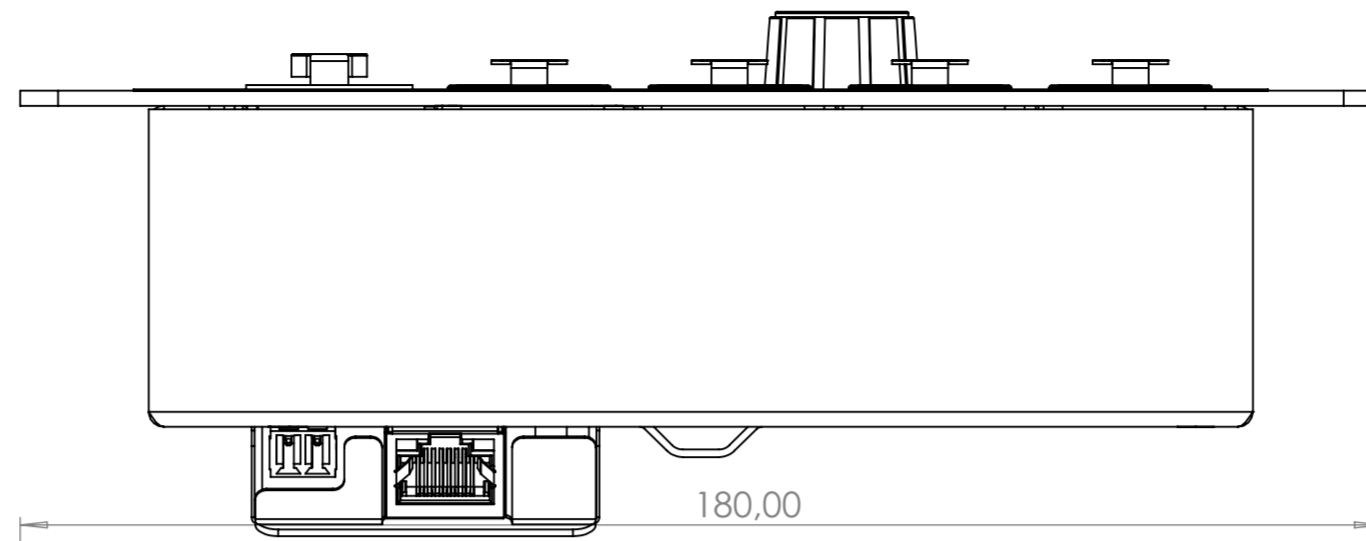


12 11 10 9 8 7 6 5 4 3 2 1

H
G
F
E
D
C
B
A

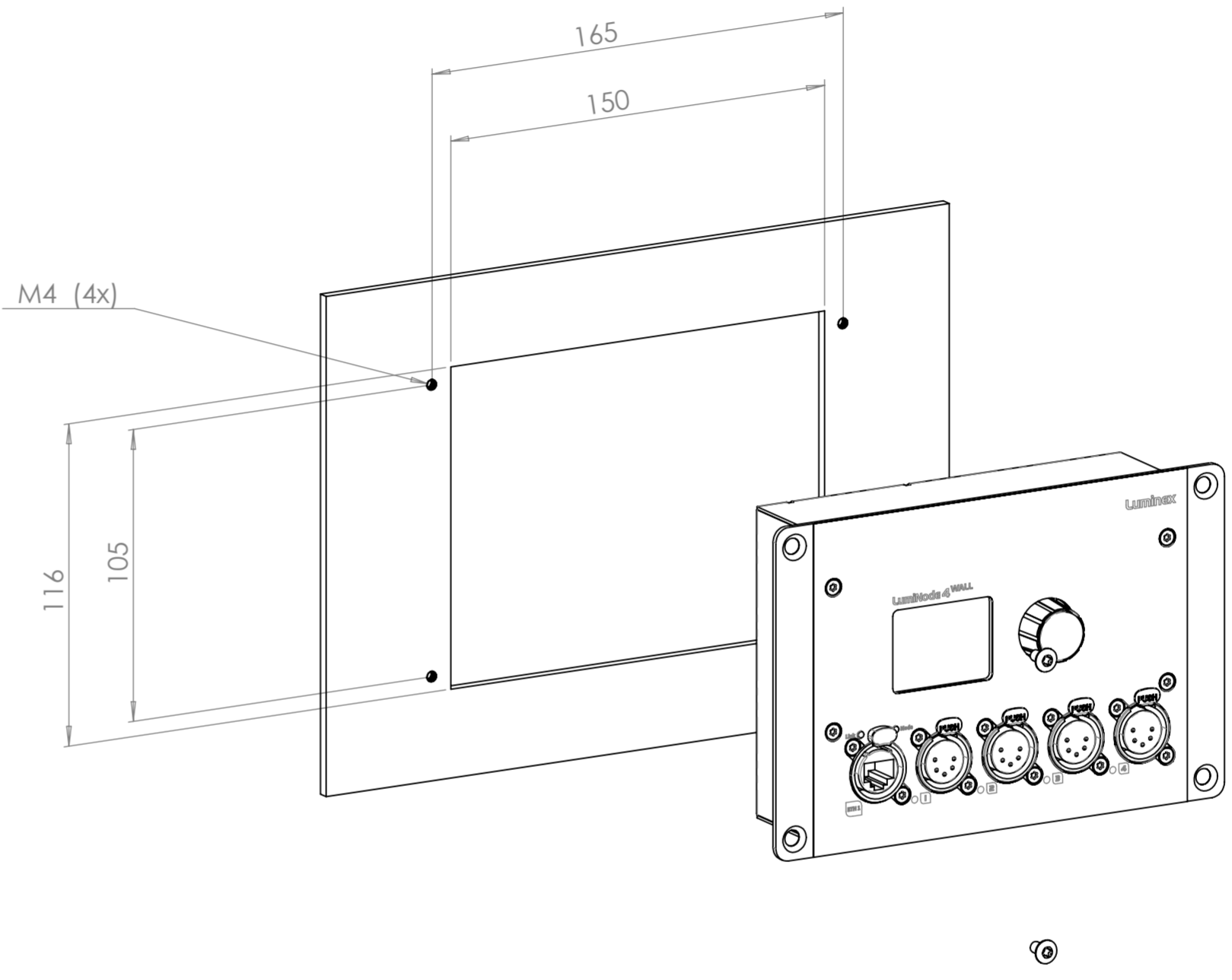
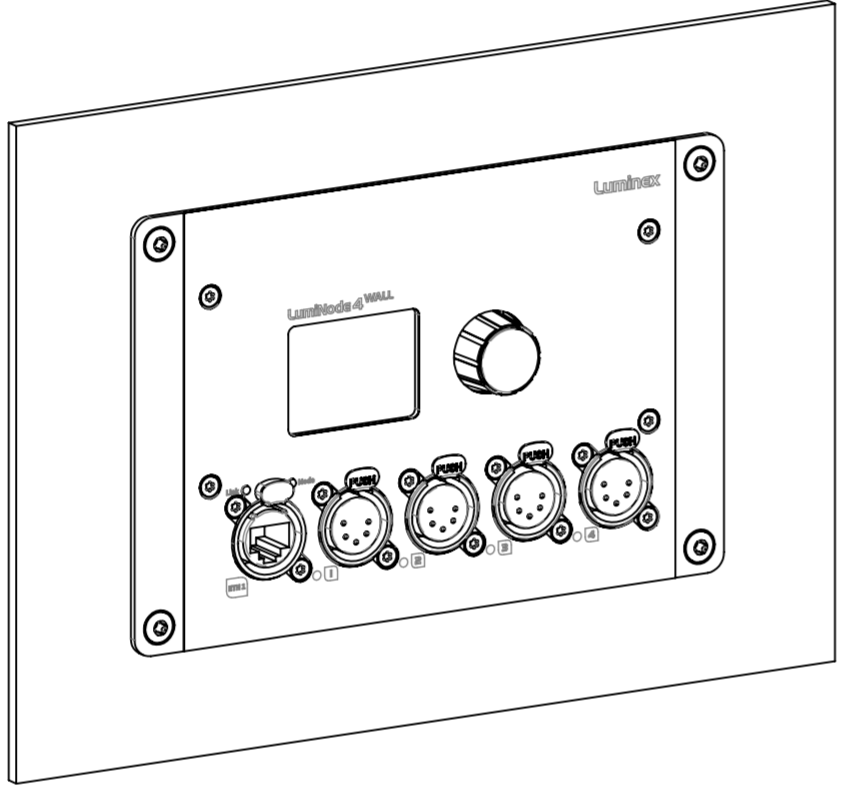


| | | | | | |
|---|--|--|---------------------------------|----------------------------|---------------------|
| UNLESS OTHERWISE SPECIFIED: DIMENSIONS ARE IN MILLIMETERS SURFACE FINISH: TOLERANCES: LINEAR: ANGULAR: | | | FINISH: | FIRST ANGLE PROJECTION | |
| MATERIAL: | | | TITLE: LumiNode4 wall | | |
| DRAWN: JR | | | NAME: JR | SIGNATURE: | DATE: 20221201 |
| WEIGHT: | | | DWG NO.: lu_01_00086 | | REVISION: 001 |
| SCALE: 1:1 | | | SHEET 1 OF 2 | | REV. DATE: 20221201 |
| | | | | | A2 |

12 11 10 9 8 7 6 5 4 3 2 1

12 11 10 9 8 7 6 5 4 3 2 1

H
G
F
E
D
C
B
A



| | | | | | | | |
|--|--|--|----------------|-----------|------------------------|-----------------------------------|------------|
| UNLESS OTHERWISE SPECIFIED: DIMENSIONS ARE IN MILLIMETERS | | | FINISH: | | FIRST ANGLE PROJECTION | DEBUR AND BREAK SHARP EDGES | |
| SURFACE FINISH: | | | TITLE: | | | | |
| TOLERANCES: LINEAR: ANGULAR: | | | LumiNode4 wall | | REVISION | | REV. DATE |
| MATERIAL: | | | DWG. NO. | | 001 | | 2022 12 01 |
| DRAWN | | | NAME | SIGNATURE | DATE | SCALE: 1:1 | |
| | | | JR | | | SHEET 2 OF 2 | |
| | | | WEIGHT: | | A2 | | |

12 11 10 9 8 7 6 5 4 3 2 1