

8

7

6

5

4

3

2

1

F

F

E

E

D

D

C

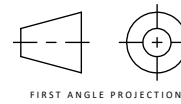
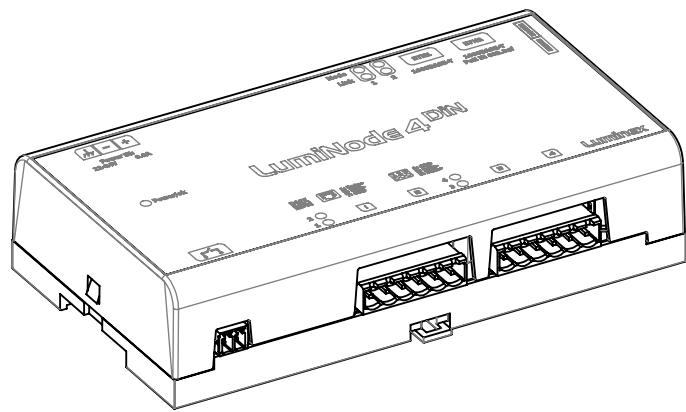
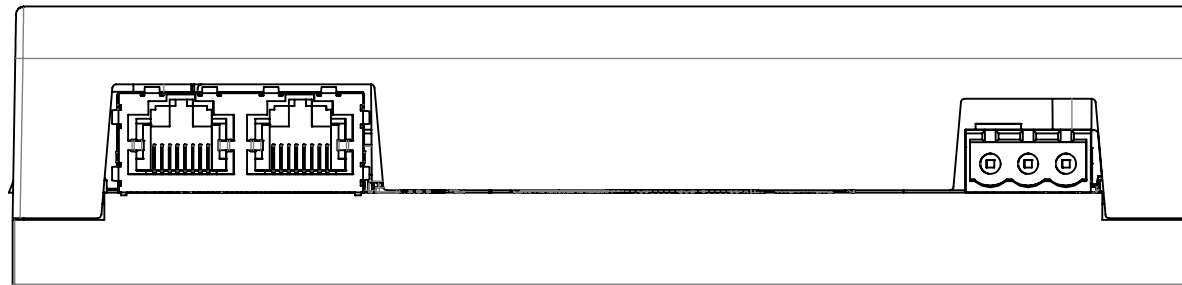
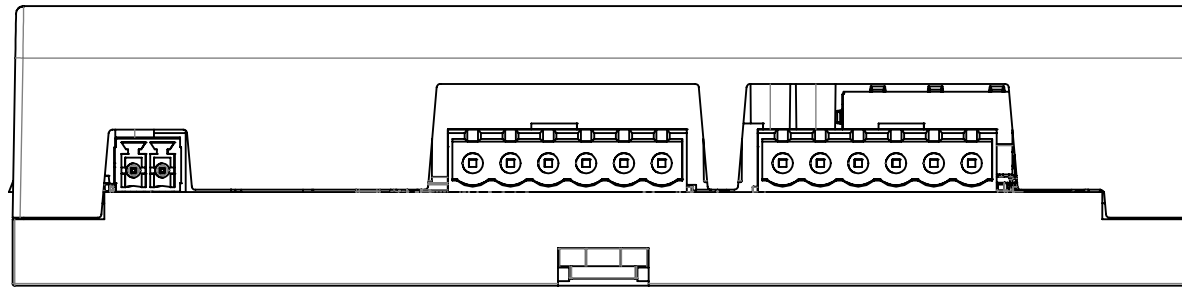
C

B

B

A

A



FIRST ANGLE PROJECTION

**LU 01 00082 TB**



**LumiNode 4 DIN TB**

Revision

001

Date

2021 01 26

A 3

SCALE : 1:1

units: mm [inch]

8

7

6

5

4

3

2

1

8

7

6

5

4

3

2

1

F

F

E

E

D

D

C

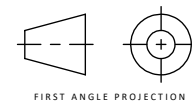
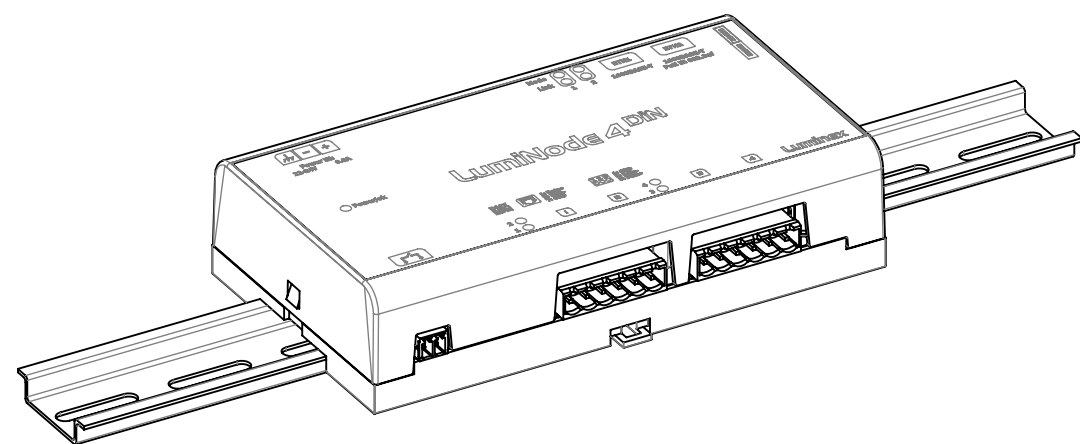
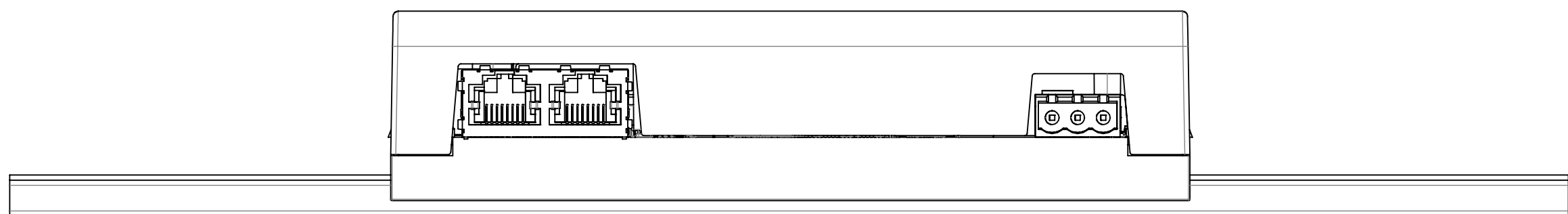
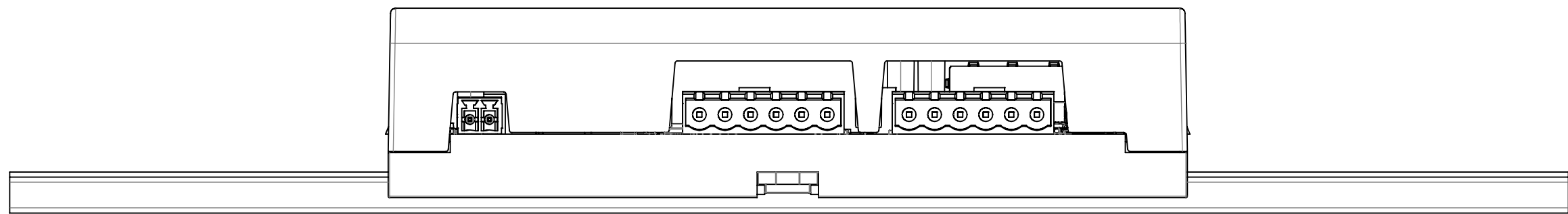
C

B

B

A

A



FIRST ANGLE PROJECTION

**LU 01 00082 TB**



**LumiNode 4 DIN TB**

Revision

001

Date

2021 01 26

A 3

SCALE : 1:1

units: mm [inch]

8

7

6

5

4

3

2

1

8

7

6

5

4

3

2

1

F

F

E

E

D

D

C

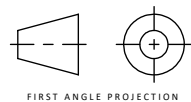
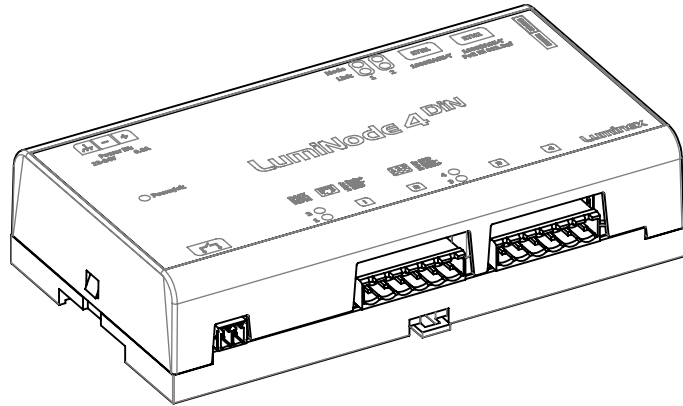
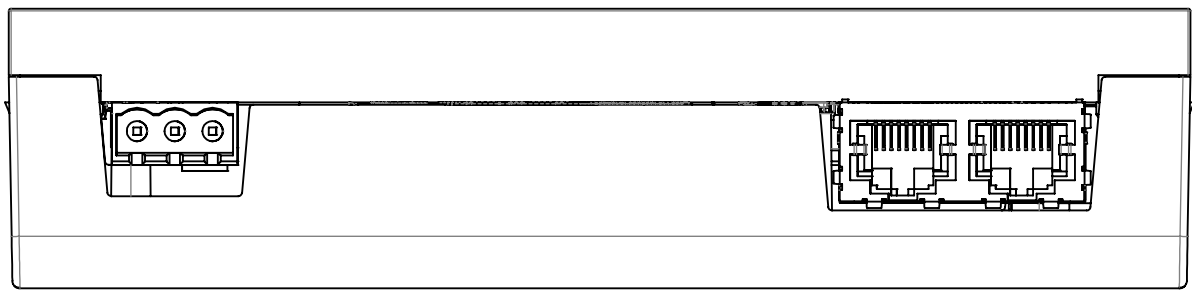
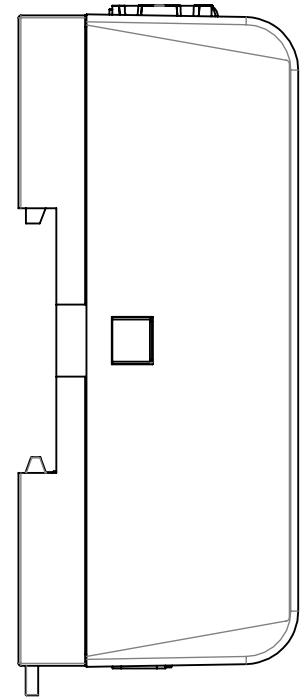
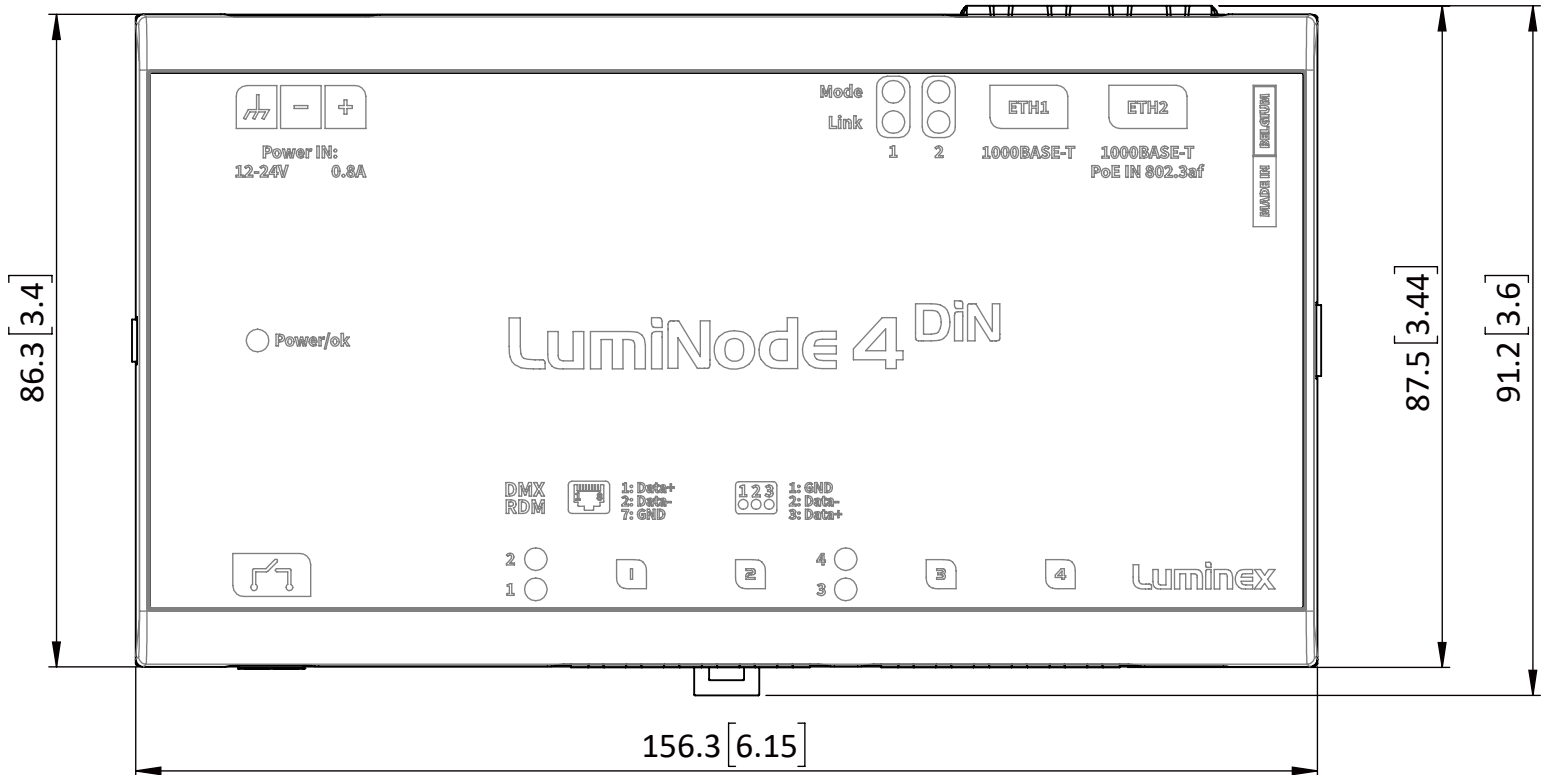
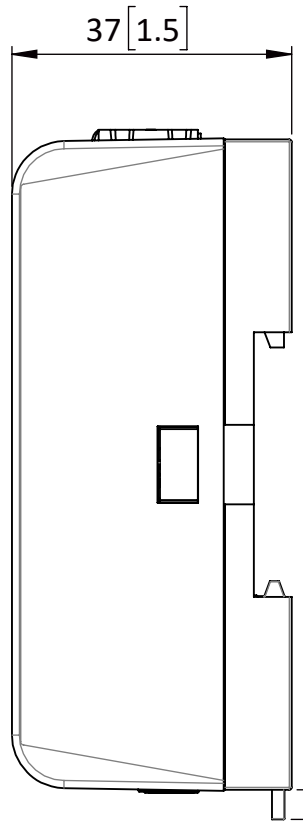
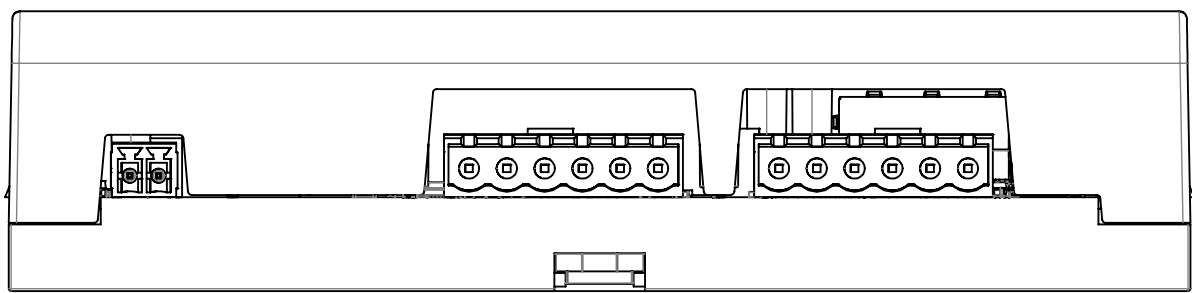
C

B

B

A

A



FIRST ANGLE PROJECTION

LU 01 00082 TB



LumiNode 4 DIN TB

Revision

001

Date

2021 01 26

A 3

SCALE: 1:1

units: mm [inch]

8

7

6

5

4

3

2

1

8

7

6

5

4

3

2

1

F

F

E

E

D

D

C

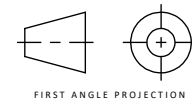
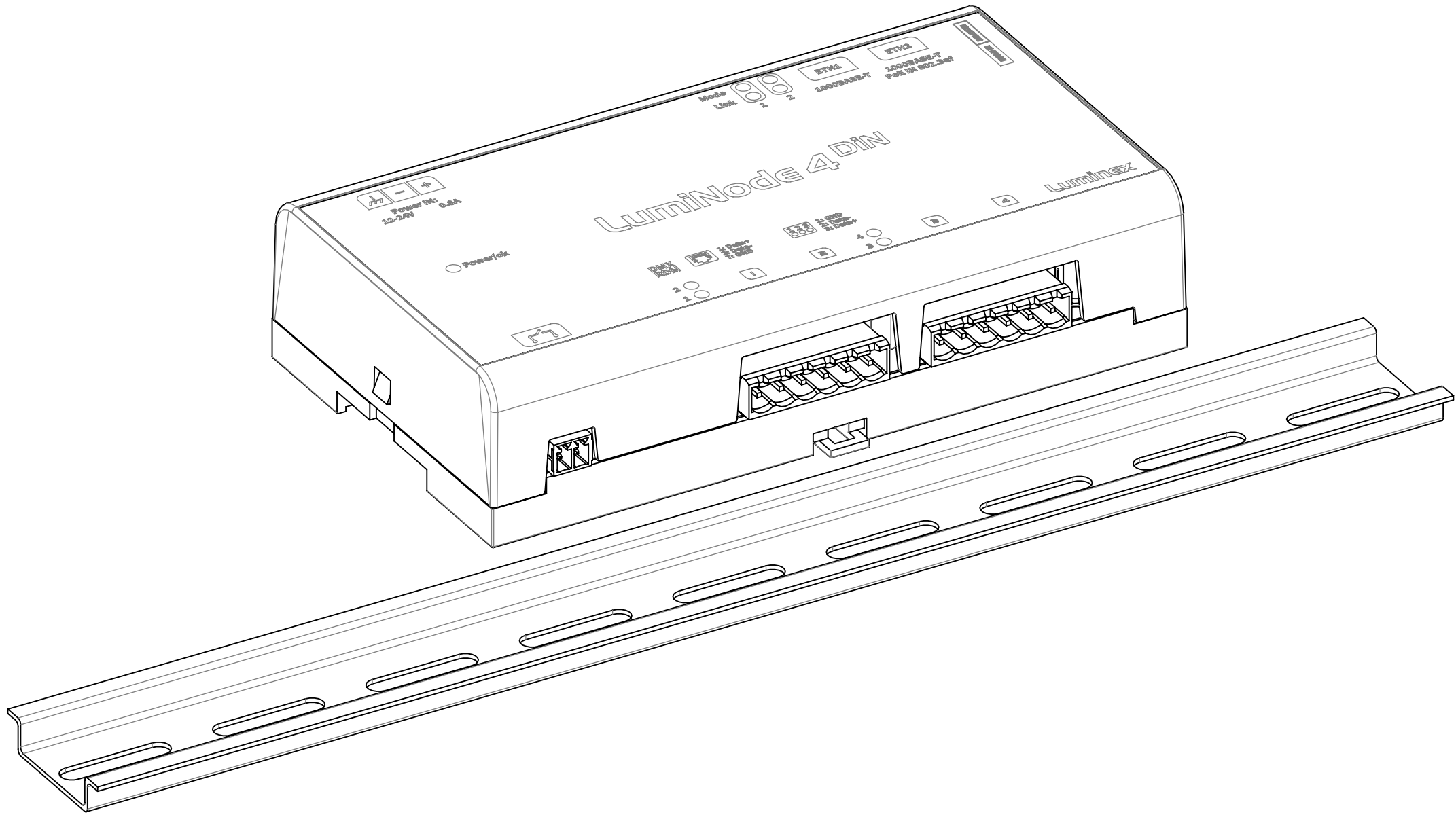
C

B

B

A

A



FIRST ANGLE PROJECTION

**LU 01 00082 TB**



**LumiNode 4 DIN TB**

Revision

001

Date

2021 01 26

SCALE : 1:1

units: mm [inch]

A 3

8

7

6

5

4

3

2

1