

LumiNode

QUICK START GUIDE

THE BASIC FEATURES OF AN EASY SET-UP

LUMINODE PRODUCT FAMILY

LumiNode 1 / LumiNode 2 / LumiNode 4 / LumiNode 12

THANKS FOR CHOOSING LUMINEX

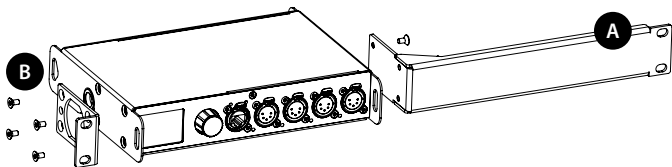
MADE IN BELGIUM

1. MOUNTING THE DEVICE

LumiNode 4 is a device that can be mounted in a truss as well as in a rack. Please read the following instructions to make sure the device is mounted and secured correctly.

1.1 Rack mount

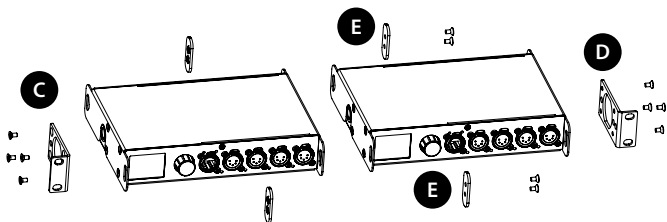
In case you want to mount your LumiNode 4 in a standard 19 inch rack, you first have to attach the included mounting ears. Connect the longest ear **(A)** to right hand side of the device with 4 screws, re-used from the device. Attach the shorter ear **(B)** to the left hand side again with the 4 screws. In this way the input connector nicely lines up with the inputs from possible other devices in the rack.



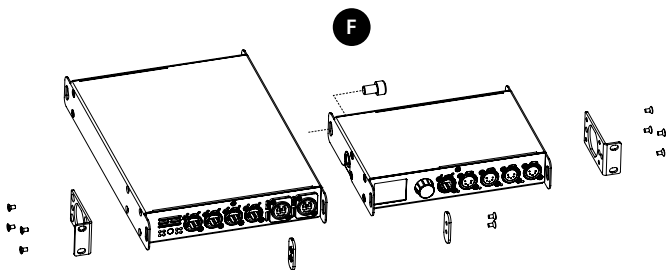
1.2 Rack mount - two devices

In case you want to mount two LumiNode 4 devices in a standard 19-inch rack you can mount the two devices together. In space saving way that the two devices will only consume a single row in your 19-inch rack.

First you attach the shortest mounting ears. Connect the shortest ear **(C)** to the left-hand side of the first device with 4 screws, re-used from the device. Attach the other shortest ear **(D)**, delivered with the second device, to the right-hand side again with 4 screws. Use a pair of mounting brackets **(E)** to connect the two devices in the middle on the frontside. Use a second pair of mounting brackets **(E)**, delivered with the second device, to connect the devices at the rear. Each pair of brackets must be mounted with 2 screws.

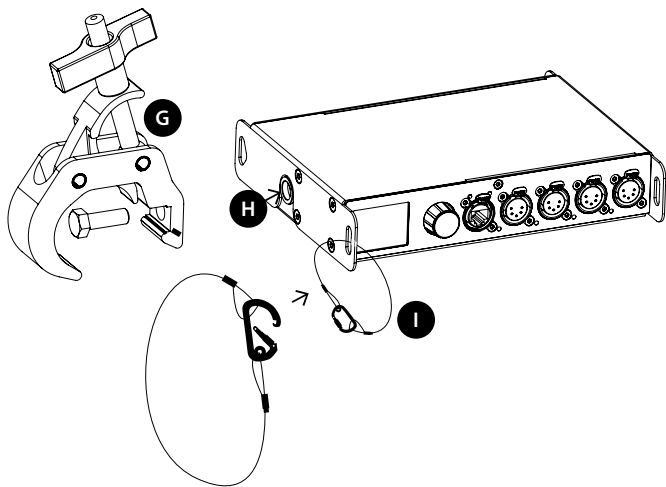


To combine a LumiNode 4 device with a Luminex half 19" device, style Gigacore 10, the mounting procedure differs a little. The bolt (**F**), not included, replaces the rear couplers at the rear side of the device. Use the correct bold, M10x20, with a screw wire no longer as 20mm. You can order this part from Luminex (Part Number: R 90 01042) Screw the bolt, through the LumiNode 4 back ear, into the side M10 insert and tighten it. The rest of the mounting procedure remains the same.



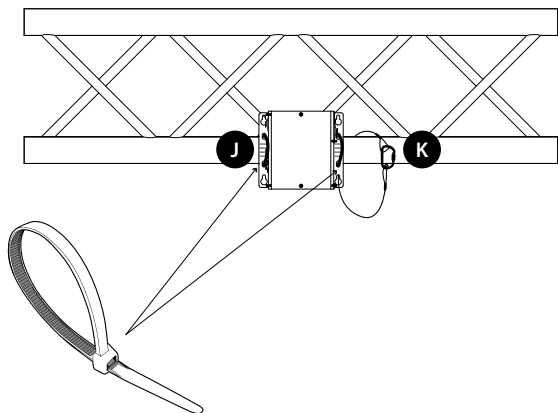
1.3 Truss Mount – LumiNode 4

To mount a LumiNode 4 in a truss, you must attach a 10M clamp (**G**) to the M10 insert (**H**). After that, you can mount the clamp to the truss bars. Please also secure the device by attaching a safety line directly to the truss bars as well (**I**).



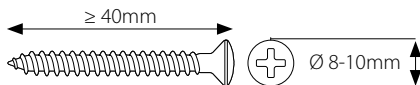
1.4 Truss Mount – LumiNode 2

To mount a LumiNode 2 in a truss, use the two plastic tie wraps that are included. Bring on each side a tie wrap through holes of the device, around the truss bar and tighten it (**J**). Please also secure the device by attaching a safety line directly to the truss bars as well (**K**).

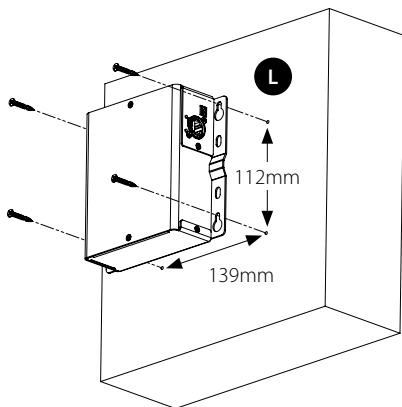
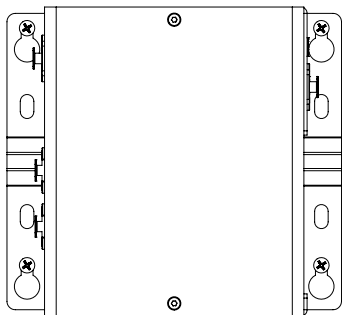


1.5 Wall Mount – LumiNode 2

The LumiNode 2 can be mounted to a concrete or wood wall by using applicable screws and anchors. Make sure that the screw head diameter is between 8 – 10mm and the screw length is at least 40mm in order to make a strong wall connection.



Drill 4 holes, at the correct distance in both directions as indicated in the picture on the next page (**L**). Mount the device in such way that the Ethernet and DMX ports are facing sideways, and the chassis side is perpendicular to the ground.



2. POWER UP THE DEVICE

Depending on the model there are different ways to power your device:

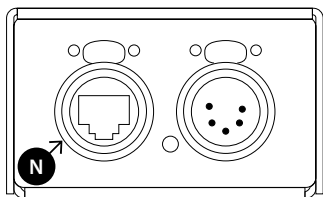
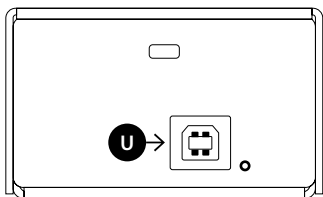
- LumiNode1: Power-up the device with a USB cable **(U)** or with PoE **(N)**. The device will automatically switch on. To shut it down after use, just un-plug the USB cable or the network cable again.
- Luminode2: Power-up the device with a network cable with PoE **(N)**. The device will automatically switch on. To shut it down after use, just un-plug the network cable again.
- LumiNode4 and 12: Power-up the device with a power cable fitted with a Neutrik PowerCON TRUE1 connector **(M)** (please contact your local dealer if you don't have a suitable power cable at hand). The device will automatically switch on. To shut it down after use, just un-plug the power cable again.

Alternatively, the LumiNode series are 802.3af compliant (PoE), so that each LumiNode will act as a PD (Powered Device), and can be powered by any compliant PSE (Power Sourcing Equipment) such as Ethernet switch, midspan and PoE injector.

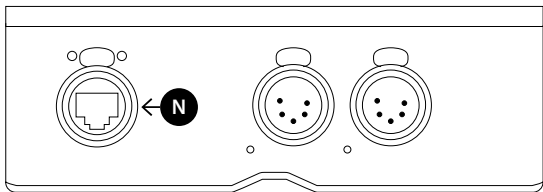
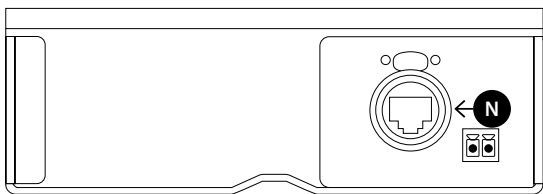
For LumiNode 4 and 12, if both 230V and PoE are used the 230V supply will be prioritized but the PoE will seamlessly take over the running if the 230V fails.

The LumiNode12 offers the option to daisy chain up to 30 devices via the PowerCON TRUE1 outlet on the rear of the unit.

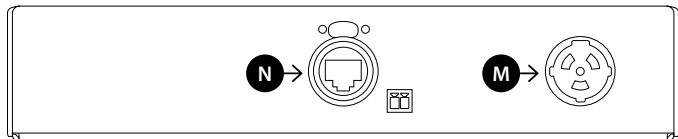
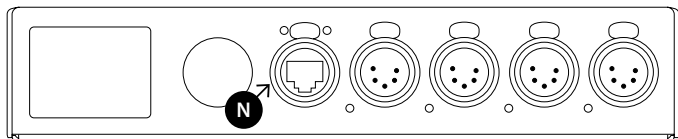
LUMINODE 1



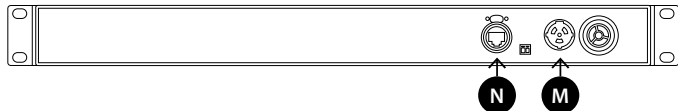
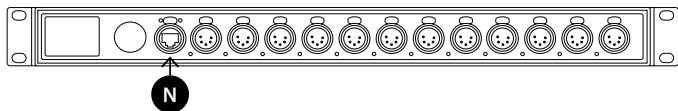
LUMINODE 2



LUMINODE 4



LUMINODE 12



3. CONNECTION TO THE NETWORK

In order to get the LumiNode online in your system, simply connect either Ethernet 1 (**N**) or Ethernet 2 (**N**) port to a computer, or to a port of an Ethernet switch. **Only Ethernet 2 port on the rear of the unit can be used to power the unit through PoE.**

4. LED INDICATORS

There are various LEDs on the LumiNode. Here is a list of the LEDs, the possible colors and the meaning of each color:

DMX PORT	STATUS	MEANING
DMX only	Cyan	Blinking : DMX activity
DMX + RDM	Blue	Blinking : DMX activity
NETWORK PORT		
Left LED	Green	Gigabit connection Blinking: Ethernet Traffic
	Orange	100Mbit connection
Right LED (future use)	future use	future use
USB Port		
USB (node1 only)	Red	Powered from USB or PoE

5. CONNECTION TO THE WEB INTERFACE

- Set an IP address in the same range as the LumiNode IP address. The default LumiNode IP address is displayed at the rear of the unit. Do not use the same IP address!
- Connect your computer to the LumiNode.
- Launch your favorite web browser.
- Type the IP address of the node in the address field.

6. RESET

When the device is powered up by default it shows the status screen with the status of the first 4 ports. In order to reset the device please follow the following steps:

- Press the jog wheel once to enter the 'Main menu'.
- Scroll down till you see the 'Toolbox' (5th option from the top).
- Press the jog wheel once to enter the toolbox.
- Scroll down until you see 'Reset'.
- Press the jog wheel once to enter the reset menu.
- A pop-up window opens giving you the option to 'Preserve IP settings' and 'Preserve user profiles'.
- Choose which option you want by using the jog wheel to scroll between the two options and press the jog wheel to confirm.
- At the bottom of the pop-up window you have the option to 'Reset' or 'Cancel'.
- If you choose 'Cancel' you get a confirmation message that the reset has been cancelled.
- If you choose 'Reset' you get a new screen asking to confirm the reset command. Once 'Yes' is selected the node will reset.

LUMINODE, BUILT FOR TODAY, DESIGNED FOR TOMORROW



Luminex

Slamstraat 13 | 3600 Genk | Belgium | T +32 11 812 189
info@luminex.be | www.luminex.world