

# PRODUCT SPECIFICATIONS

LumiNode 12<sup>RJ45</sup>

## 1. APPLICATIONS

### Ethernet / DMX processing device

The LumiNode 12 RJ45 is an easy to deploy and maintain ethernet/DMX processing device for converting, routing and merging DMX/RDM data.

With its high port count and small form factor, the unit is an ideal solution for installations where rack space is limited. The RJ45 DMX connectivity makes it possible to foresee infrastructure directly with cost effective Cat5e (or higher) cables and to use standard RJ45 patch panels and cable endings. Each port is fully optically and galvanically isolated and can be configured as an in- or output. All relevant industry standard protocols such as Art-Net, sACN, KiNET, RTTRpl (Blacktrax) are supported and can be processed and converted in 16 onboard processing engines supporting HTP, LTP, Crossfade, Backup, Switch and Custom merging modes with soft patch functionality. LumiNode 12 RJ45 also supports remote device management (RDM), has automatic functional and operational redundancy and recovery to reliably cope with the most challenging lighting tasks. A show recording and play-back mode lets you conveniently store lighting scenes and play these back when triggered to do so. An external contact closure is included as standard to allow for example to playback lighting scenes in case of emergency. LumiNode 12 RJ45 is efficient and has a low power consumption.

LumiNode 12 RJ45 is easy and intuitively to configure through a built in web-based user interface. The fully documented open API facilitates easy integration with any 3rd party control or management system. Configuration and quick settings can also be performed directly from the color display and jog wheel on the front of the unit.

With its two 1 Gigabit ethernet ports, LumiNode 12 RJ45 offers the possibility of a split network interface, with individual IP-addresses, to separate the lighting network data streams from IT related data, allowing for remote status monitoring and management without interfering with critical lighting control data streams.

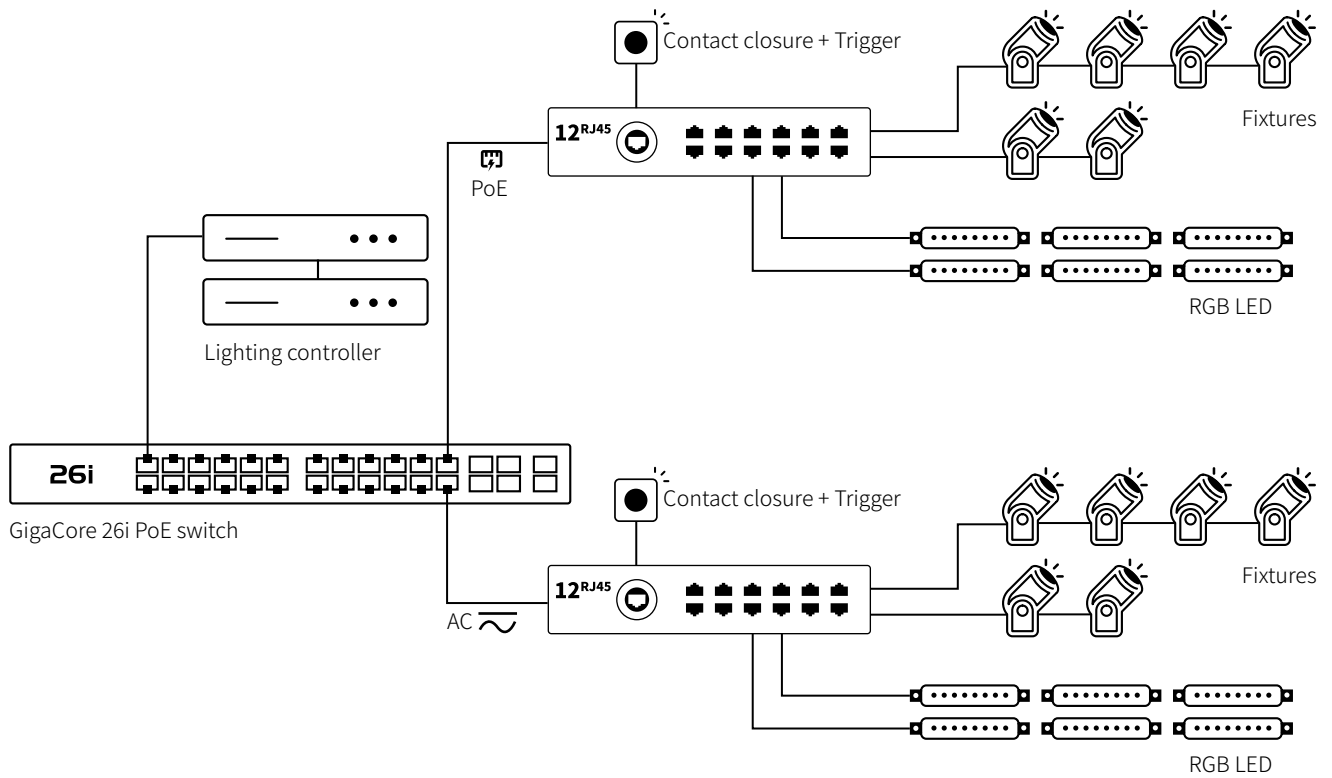
#### Applications:

- Fixed installations
- Conference rooms
- Theaters
- Cruise ships / Yachts
- Architainment lighting
- Theme parks
- Houses of worship
- ...

#### ORDERING INFORMATION

Product name:	Part numbers:
<b>LumiNode 12 RJ45</b>	LU 01 00073

## 2. APPLICATION DIAGRAM

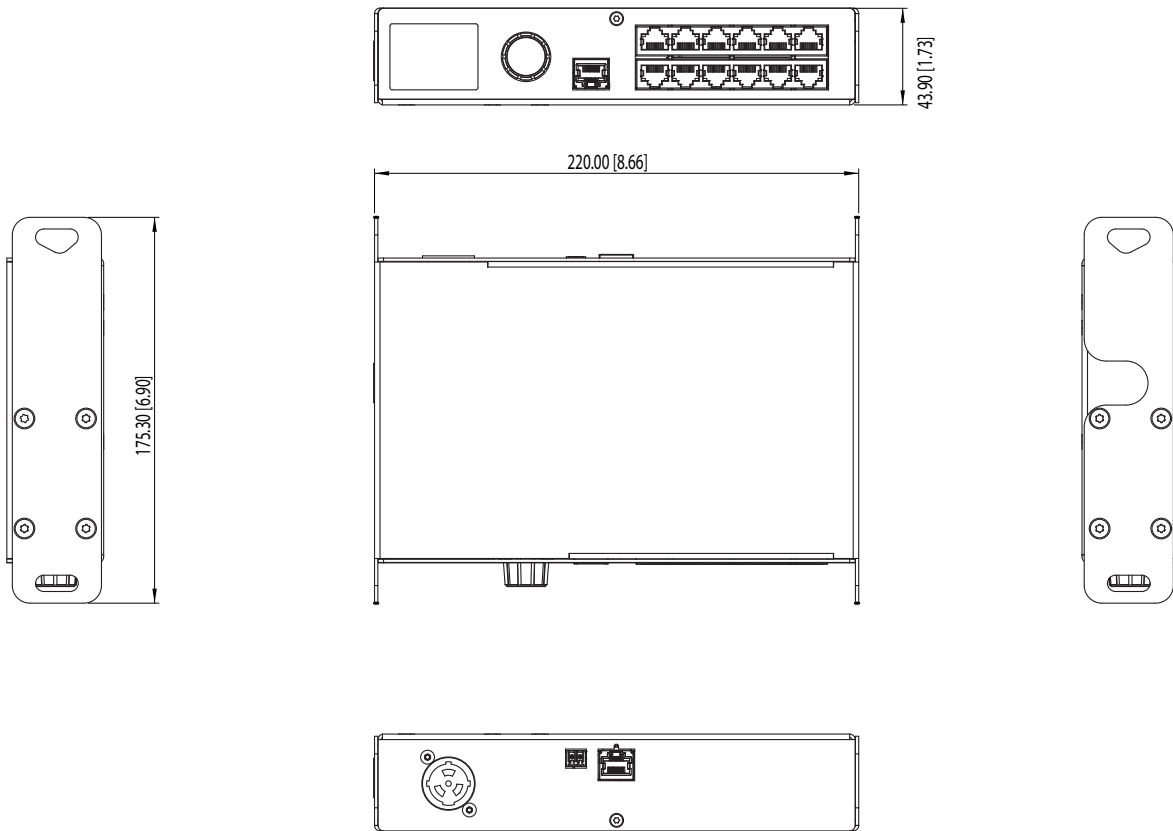


### 3. TECHNICAL SPECIFICATIONS

CONNECTIVITY	
DMX/RDM	12x RJ45-DMX (ANSI E1.11 – 2008 (R2018))
Network	1x gigaBit RJ45 PoE-802.3af rear 1x gigabit RJ45 front
Contact Closure	1x 2-pole pluggable terminal block
Power	1x Neutrik powerCON TRUE1 In PoE 802.3af (Class 0)
DMX FEATURES	
Supported protocols	DMX512 (1986 & 1990) DMX512-A RDM ANSI E1.20-2010
DMX port direction	Input or output (configurable)
DMX port isolation	Optical and galvanic isolation per port
DMX timing	Framerate: 10-40fps Break: 176-352µs
ETHERNET FEATURES	
Supported protocols	Art-Net™ (1-4) sACN ANSI E1.31-2018 RTTrPL (BlackTraX) KiNET v1, v2
Port speed	10/100/1000Mbps
Port sensing	Auto-negotiation MDI / MDIX
Split management interface	Yes
Groups (VLAN) support	No
ADDITIONAL FEATURES	
Processing engine	16
Merging	Yes (HTP, LTP, X-Fade, Backup, Switch, Custom)
Softpatch	Yes
Master/Limit	Yes
Trigger system	Yes
Reroute function	Yes
Profile manager	Yes
Snapshot	Yes
Monitoring Software	LumiNet Monitor, Araneo
DMX redundancy	Yes
STATUS REPORTING	
Display & jog	Yes
Ethernet port connection	link/activity LED Group RGB LED
DMX port	DMX/RDM RGB LED
POWER / PoE	
Power input	100-240VAC 50-60Hz PoE 802.3af (Class 0)
Power consumption	Max 13W
Power redundancy	Yes

<b>MANAGEMENT</b>	
Configuration	Built in Web server Documented Web API Colour display & Jog
<b>ENVIRONMENTAL</b>	
Operating temperature	0 to +50°C
Storage temperature	-10 to +70°C
Humidity(non condensing)	5 to 95% RH
<b>MECHANICAL</b>	
Enclosure	Metal enclosure
Dimensions (W x D x H)	220 x 175,3 x 44 mm
Weight	1,42 kg
Mounting type	1/2 19 Inch Rack mount
Packaging	420 x 272 x 80 mm
<b>APPROVALS</b>	
Electromagnetic emissions and immunity	EN55032 class A EN55035 EN61000-3-2 EN61000-3-3 EN61000-4-2 EN61000-4-4 EN61000-4-5 EN61000-4-6 EN61000-4-8 EN61000-4-11 FCC Part 15 CFR 47 class A ICES-003 Issue 6
Safety approvals	IEC 62368-1 EN 62368-1 UL 62368-1 CAN/CSA-C22.2 No. 62368-1 CE
Certificates	cSGSus Mark CE UKCA CB certificate
<b>GREEN</b>	
	RoHS REACH

**LUMINODE 12 RJ45**



**LUMINODE 12 RJ45**

