

# PRODUCT SPECIFICATIONS

## GIGACORE 16tf

Description: Technical specifications GigaCore 16tf - v1.0.5

---

Luminex reserves the right to modify the technical specifications at any given time without prior notice.  
No rights can be claimed from these specifications.



**MADE IN BELGIUM**

## 1. Applications

### A 10-Gigabit Ethernet switch, designed for professional touring applications.

The GigaCore 16tf is a 10 Gigabit Ethernet switch for professional touring applications in lighting, audio and video with a frequent tear-down & built-up requirement or for any other application where ruggedized connectivity is necessary. It is designed to support the most advanced AV protocols out of the box and is the backbone for a converged network, allowing multiple applications to co-exist on the same network.

GigaCore 16tf provides ruggedised connectivity at the front and rear of the rack to accommodate multiple edge devices in a flexible way.

The combination of GigaCore 16tf and Araneo software platform is the ideal solution to deploy an entire AV network in just a few clicks. Each GigaCore switch can be configured by an intuitive built-in AV Web UI.

Araneo, the network monitoring, planning and management software will ensure consistent management across the entire Luminex network. The use of Araneo together with GigaCore switches will increase your productivity and confidence in the network as well as significantly reduce commissioning time. An e-ink display informs the user about important parameters of the switch also when the device is not powered.

GigaCore 16tf is an indispensable part of any mobile AV network where reliability and a quick and easy setup are needed. As a user, you don't need to make choices nor tradeoffs as GigaCore manages most AV protocols for you out of the box: Pre-defined QoS/DiffServ (Quality of Service) settings, optimized IGMP (Internet Group Management Protocol) per group (VLAN) and pre-defined yet editable groups (VLANs) to easily separate your network in different applications making converged networks obvious, easy, and reliable.

Also included out of the box, is the advanced, automated redundancy protocol RLinkX that ensures redundant links and ring topology within your GigaCore network.

Bandwidth, connectivity, and port availability are not an issue anymore with 4 x independent ruggedized fiber connectors, available in multiple configurations (2 on the front and 2 on the back OR 4 on the back) and capable of data transfer speeds of up to 10 Gbps.

Alternatively these port locations can also be equipped with extra copper ports. 12 x 1Gbps copper ports on the frontside with rugged EtherCON connectors ensure robust connectivity.

Time synchronization is crucial in many applications; GigaCore 16tf offers you a hassle free PTPv2 enabled switch which will work for most major audio protocols (e.g., AES67, ST2110, Dante, Q-sys/Q-lan, ...) without the need for making complicated configurations.

Furthermore AVB/MILAN is supported out of the box on the management group (VLAN) and can operate simultaneously with the aforementioned PTPv2 applications in a converged network on different Groups (VLANS).



Entertainment and touring setups constantly push the limits. The deployment of PoE powered devices is continuously increasing. GigaCore 16tf is ahead of this trend by offering PoE++ as an option on all copper ports (90W per port with a total PoE budget of up to 500W – stand-alone unit or up to 1000W - when used in conjunction with a separate RPSU 5580 unit).

Alternatively, this separately available RPSU unit can also guarantee redundant power if a large total PoE budget is not needed for the application. (Note the second PSU connectivity is only offered on the PoE++Models.) Great care has been taken to ensure silent operation by means of intelligent fan control, giving you more options with peace of mind that no live audience or recording session would be disturbed.

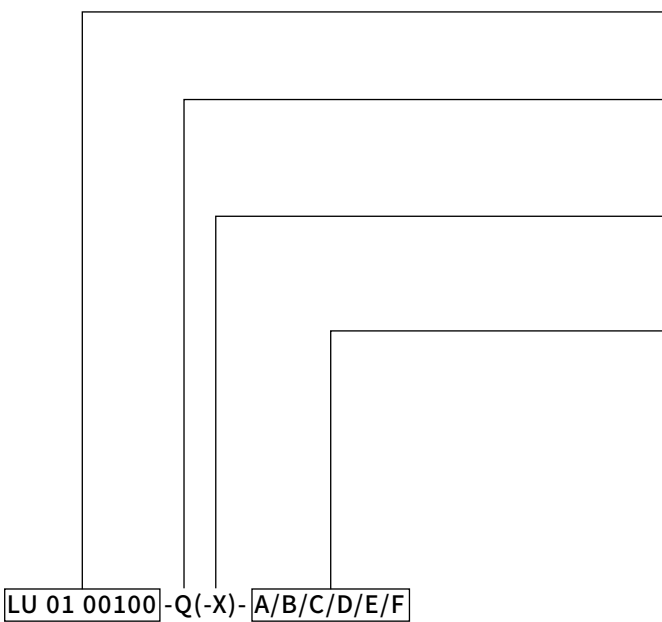
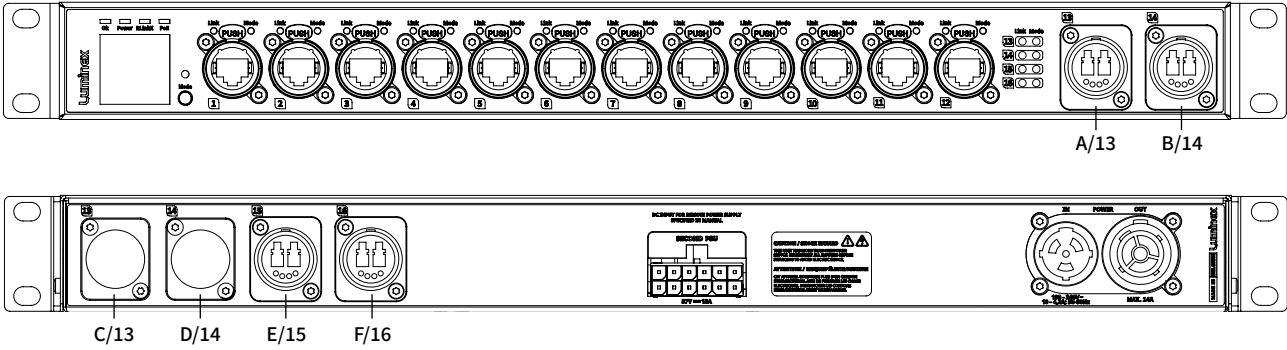
GigaCore 16tf is the ideal touring network solution offering rugged, out of the box performance and **#convergednetworkingmadeeasy.**

## Industries

- Live events
- Film Studios
- Touring
- Large system integrations
- Sports arenas
- Convention centers
- Broadcast and recording studios, OB vans
- Theme parks
- ...



GigaCore 16tf - connector designations correlated with port numbers:



Product Number	
LU 01 00100	GigaCore 16tf

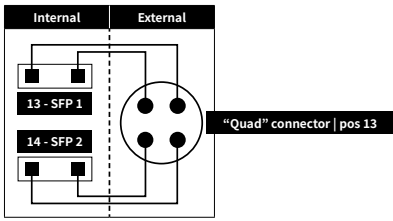
SFP+ mode	
1G	1Gbps
10G	10Gbps

Model Version: (-X) optional	
(Blank)	Non PoE version
POE	PoE++ version

Connector Type	
NDM	Neutrik opticalCON DUO Multi-mode
NDS	Neutrik opticalCON DUO Single-mode
NQM	Neutrik opticalCON QUAD Multi-mode
NQS	Neutrik opticalCON QUAD Single-mode
F2M	FiberFox 2Channel Multi-mode (1G models only)
F2S	FiberFox 2Channel Single mode
F4M	FiberFox 4Channel Multi-mode (1G models only)
F4S	FiberFox 4 Channel Single mode
LCM	LC feed through Multi mode
LCS	LC feed through Single mode
ETC	Neutrik etherCON (no PoE / 10G limited to 30m)
0	Blind plate only
0S	Blindplate + Single mode on adjacent port*
0M	Blindplate + Multi mode on adjacent port*

Connector Position - Port number	
A	Port 13 Front side
B	Port 14 Front side
C	Port 13 Rear side
D	Port 14 Rear side
E	Port 15 Rear side
F	Port 16 Rear side

\*Example:



1Gb Models   Product number	Description
<b>etherCON</b>	
LU 01 00100-1G-POE-0/0/ETC/ETC/ETC/ETC	GigaCore 16tf 1G POE 0/0/ETC/ETC/ETC/ETC
LU 01 00100-1G-POE-ETC/ETC/0/0/ETC/ETC	GigaCore 16tf 1G POE ETC/ETC/0/0/ETC/ETC
LU 01 00100-1G-0/0/ETC/ETC/ETC/ETC	GigaCore 16tf 1G 0/0/ETC/ETC/ETC/ETC
LU 01 00100-1G-ETC/ETC/0/0/ETC/ETC	GigaCore 16tf 1G ETC/ETC/0/0/ETC/ETC
<b>opticalCON DUO Multi mode</b>	
LU 01 00100-1G-POE-NDM/NDM/0/0/NDM/NDM	GigaCore 16tf 1G POE NDM/NDM/0/0/NDM/NDM
LU 01 00100-1G-POE-0/0/NDM/NDM/NDM/NDM	GigaCore 16tf 1G POE 0/0/NDM/NDM/NDM/NDM
LU 01 00100-1G-NDM/NDM/0/0/NDM/NDM	GigaCore 16tf 1G NDM/NDM/0/0/NDM/NDM
LU 01 00100-1G-0/0/NDM/NDM/NDM/NDM	GigaCore 16tf 1G 0/0/NDM/NDM/NDM/NDM
<b>opticalCON DUO Multi mode + etherCON</b>	
LU 01 00100-1G-POE-NDM/NDM/0/0/ETC/ETC	GigaCore 16tf 1G POE NDM/NDM/0/0/ETC/ETC
LU 01 00100-1G-POE-ETC/ETC/0/0/NDM/NDM	GigaCore 16tf 1G POE ETC/ETC/0/0/NDM/NDM
LU 01 00100-1G-NDM/NDM/0/0/ETC/ETC	GigaCore 16tf 1G NDM/NDM/0/0/ETC/ETC
LU 01 00100-1G-ETC/ETC/0/0/NDM/NDM	GigaCore 16tf 1G ETC/ETC/0/0/NDM/NDM
<b>opticalCON DUO Single mode</b>	
LU 01 00100-1G-POE-NDS/NDS/0/0/NDS/NDS	GigaCore 16tf 1G POE NDS/NDS/0/0/NDS/NDS
LU 01 00100-1G-POE-0/0/NDS/NDS/NDS/NDS	GigaCore 16tf 1G POE 0/0/NDS/NDS/NDS/NDS
LU 01 00100-1G-NDS/NDS/0/0/NDS/NDS	GigaCore 16tf 1G NDS/NDS/0/0/NDS/NDS
LU 01 00100-1G-0/0/NDS/NDS/NDS/NDS	GigaCore 16tf 1G 0/0/NDS/NDS/NDS/NDS
<b>opticalCON DUO Single mode + etherCON</b>	
LU 01 00100-1G-POE-NDS/NDS/0/0/ETC/ETC	GigaCore 16tf 1G POE NDS/NDS/0/0/ETC/ETC
LU 01 00100-1G-POE-ETC/ETC/0/0/NDS/NDS	GigaCore 16tf 1G POE ETC/ETC/0/0/NDS/NDS
LU 01 00100-1G-NDS/NDS/0/0/ETC/ETC	GigaCore 16tf 1G NDS/NDS/0/0/ETC/ETC
LU 01 00100-1G-ETC/ETC/0/0/NDS/NDS	GigaCore 16tf 1G ETC/ETC/0/0/NDS/NDS
<b>opticalCON QUAD Multi mode</b>	
LU 01 00100-1G-POE-NQM/0M/0/0/NQM/0M	GigaCore 16tf 1G POE NQM/0M/0/0/NQM/0M
LU 01 00100-1G-POE-NQM/NQM/0/0/0M/0M	GigaCore 16tf 1G POE NQM/NQM/0/0/0M/0M
LU 01 00100-1G-POE-0/0/NQM/0M/NQM/0M	GigaCore 16tf 1G POE 0/0/NQM/0M/NQM/0M
LU 01 00100-1G-NQM/0M/0/0/NQM/0M	GigaCore 16tf 1G NQM/0M/0/0/NQM/0M
LU 01 00100-1G-NQM/NQM/0/0/0M/0M	GigaCore 16tf 1G NQM/NQM/0/0/0M/0M
LU 01 00100-1G-0/0/NQM/0M/NQM/0M	GigaCore 16tf 1G 0/0/NQM/0M/NQM/0M
<b>opticalCON QUAD Multi mode + etherCON</b>	
LU 01 00100-1G-POE-NQM/0M/0/0/ETC/ETC	GigaCore 16tf 1G POE NQM/0M/0/0/ETC/ETC
LU 01 00100-1G-POE-ETC/ETC/0/0/NQM/0M	GigaCore 16tf 1G POE ETC/ETC/0/0/NQM/0M
LU 01 00100-1G-NQM/0M/0/0/ETC/ETC	GigaCore 16tf 1G NQM/0M/0/0/ETC/ETC
LU 01 00100-1G-ETC/ETC/0/0/NQM/0M	GigaCore 16tf 1G ETC/ETC/0/0/NQM/0M
<b>opticalCON QUAD Single mode</b>	
LU 01 00100-1G-POE-NQS/0S/0/0/NQS/0S	GigaCore 16tf 1G POE NQS/0S/0/0/NQS/0S
LU 01 00100-1G-POE-NQS/NQS/0/0/0S/0S	GigaCore 16tf 1G POE NQS/NQS/0/0/0S/0S
LU 01 00100-1G-POE-0/0/NQS/0S/NQS/0S	GigaCore 16tf 1G POE 0/0/NQS/0S/NQS/0S
LU 01 00100-1G-NQS/0S/0/0/NQS/0S	GigaCore 16tf 1G NQS/0S/0/0/NQS/0S
LU 01 00100-1G-NQS/NQS/0/0/0S/0S	GigaCore 16tf 1G NQS/NQS/0/0/0S/0S
LU 01 00100-1G-0/0/NQS/0S/NQS/0S	GigaCore 16tf 1G 0/0/NQS/0S/NQS/0S
<b>opticalCON QUAD Single mode + etherCON</b>	
LU 01 00100-1G-POE-NQS/0S/0/0/ETC/ETC	GigaCore 16tf 1G POE NQS/0S/0/0/ETC/ETC
LU 01 00100-1G-POE-ETC/ETC/0/0/NQS/0S	GigaCore 16tf 1G POE ETC/ETC/0/0/NQS/0S
LU 01 00100-1G-NQS/0S/0/0/ETC/ETC	GigaCore 16tf 1G NQS/0S/0/0/ETC/ETC
LU 01 00100-1G-ETC/ETC/0/0/NQS/0S	GigaCore 16tf 1G ETC/ETC/0/0/NQS/0S
<b>FiberFox 2ch Multi mode</b>	
LU 01 00100-1G-POE-F2M/F2M/0/0/F2M/F2M	GigaCore 16tf 1G POE F2M/F2M/0/0/F2M/F2M
LU 01 00100-1G-POE-0/0/F2M/F2M/F2M/F2M	GigaCore 16tf 1G POE 0/0/F2M/F2M/F2M/F2M
LU 01 00100-1G-F2M/F2M/0/0/F2M/F2M	GigaCore 16tf 1G F2M/F2M/0/0/F2M/F2M
LU 01 00100-1G-0/0/F2M/F2M/F2M/F2M	GigaCore 16tf 1G 0/0/F2M/F2M/F2M/F2M
<b>FiberFox 2ch Multi mode + etherCON</b>	
LU 01 00100-1G-POE-F2M/F2M/0/0/ETC/ETC	GigaCore 16tf 1G POE F2M/F2M/0/0/ETC/ETC
LU 01 00100-1G-POE-ETC/ETC/0/0/F2M/F2M	GigaCore 16tf 1G POE ETC/ETC/0/0/F2M/F2M
LU 01 00100-1G-F2M/F2M/0/0/ETC/ETC	GigaCore 16tf 1G F2M/F2M/0/0/ETC/ETC
LU 01 00100-1G-ETC/ETC/0/0/F2M/F2M	GigaCore 16tf 1G ETC/ETC/0/0/F2M/F2M



1Gb Models   Product number	Description
<b>Fiberfox 2ch Single mode</b>	
LU 01 00100-1G-POE-F2S/F2S/0/0/F2S/F2S	GigaCore 16tf 1G POE F2S/F2S/0/0/F2S/F2S
LU 01 00100-1G-POE-0/0/F2S/F2S/F2S/F2S	GigaCore 16tf 1G POE 0/0/F2S/F2S/F2S/F2S
LU 01 00100-1G-F2S/F2S/0/0/F2S/F2S	GigaCore 16tf 1G F2S/F2S/0/0/F2S/F2S
LU 01 00100-1G-0/0/F2S/F2S/F2S/F2S	GigaCore 16tf 1G 0/0/F2S/F2S/F2S/F2S
<b>Fiberfox 2ch Single mode + etherCON</b>	
LU 01 00100-1G-POE-F2S/F2S/0/0/ETC/ETC	GigaCore 16tf 1G POE F2S/F2S/0/0/ETC/ETC
LU 01 00100-1G-POE-ETC/ETC/0/0/F2S/F2S	GigaCore 16tf 1G POE ETC/ETC/0/0/F2S/F2S
LU 01 00100-1G-F2S/F2S/0/0/ETC/ETC	GigaCore 16tf 1G F2S/F2S/0/0/ETC/ETC
LU 01 00100-1G-ETC/ETC/0/0/F2S/F2S	GigaCore 16tf 1G ETC/ETC/0/0/F2S/F2S
<b>Fiberfox 4ch Multi mode</b>	
LU 01 00100-1G-POE-F4M/0M/0/0/F4M/0M	GigaCore 16tf 1G POE F4M/0M/0/0/F4M/0M
LU 01 00100-1G-POE-F4M/F4M/0/0/0M/0M	GigaCore 16tf 1G POE F4M/F4M/0/0/0M/0M
LU 01 00100-1G-POE-0/0/F4M/0M/F4M/0M	GigaCore 16tf 1G POE 0/0/F4M/0M/F4M/0M
LU 01 00100-1G-F4M/0M/0/0/F4M/0M	GigaCore 16tf 1G F4M/0M/0/0/F4M/0M
LU 01 00100-1G-F4M/F4M/0/0/0M/0M	GigaCore 16tf 1G F4M/F4M/0/0/0M/0M
LU 01 00100-1G-0/0/F4M/0M/F4M/0M	GigaCore 16tf 1G 0/0/F4M/0M/F4M/0M
<b>Fiberfox 4ch Multi mode + etherCON</b>	
LU 01 00100-1G-POE-F4M/0M/0/0/ETC/ETC	GigaCore 16tf 1G POE F4M/0M/0/0/ETC/ETC
LU 01 00100-1G-POE-ETC/ETC/0/0/F4M/0M	GigaCore 16tf 1G POE ETC/ETC/0/0/F4M/0M
LU 01 00100-1G-F4M/0M/0/0/ETC/ETC	GigaCore 16tf 1G F4M/0M/0/0/ETC/ETC
LU 01 00100-1G-ETC/ETC/0/0/F4M/0M	GigaCore 16tf 1G ETC/ETC/0/0/F4M/0M
<b>Fiberfox 4ch Single mode</b>	
LU 01 00100-1G-POE-F4S/0S/0/0/F4S/0S	GigaCore 16tf 1G POE F4S/0S/0/0/F4S/0S
LU 01 00100-1G-POE-F4S/F4S/0/0/0S/0S	GigaCore 16tf 1G POE F4S/F4S/0/0/0S/0S
LU 01 00100-1G-POE-0/0/F4S/0S/F4S/0S	GigaCore 16tf 1G POE 0/0/F4S/0S/F4S/0S
LU 01 00100-1G-F4S/0S/0/0/F4S/0S	GigaCore 16tf 1G F4S/0S/0/0/F4S/0S
LU 01 00100-1G-F4S/F4S/0/0/0S/0S	GigaCore 16tf 1G F4S/F4S/0/0/0S/0S
LU 01 00100-1G-0/0/F4S/0S/F4S/0S	GigaCore 16tf 1G 0/0/F4S/0S/F4S/0S
<b>Fiberfox 4ch Single mode + etherCON</b>	
LU 01 00100-1G-POE-F4S/0S/0/0/ETC/ETC	GigaCore 16tf 1G POE F4S/0S/0/0/ETC/ETC
LU 01 00100-1G-POE-ETC/ETC/0/0/F4S/0S	GigaCore 16tf 1G POE ETC/ETC/0/0/F4S/0S
LU 01 00100-1G-F4S/0S/0/0/ETC/ETC	GigaCore 16tf 1G F4S/0S/0/0/ETC/ETC
LU 01 00100-1G-ETC/ETC/0/0/F4S/0S	GigaCore 16tf 1G ETC/ETC/0/0/F4S/0S
<b>LC feed through Multi mode</b>	
LU 01 00100-1G-POE-0/0/LCM/LCM/LCM/LCM	GigaCore 16tf 1G POE 0/0/LCM/LCM/LCM/LCM
LU 01 00100-1G-0/0/LCM/LCM/LCM/LCM	GigaCore 16tf 1G 0/0/LCM/LCM/LCM/LCM
<b>LC feed through Single mode</b>	
LU 01 00100-1G-POE-0/0/LCS/LCS/LCS/LCS	GigaCore 16tf 1G POE 0/0/LCS/LCS/LCS/LCS
LU 01 00100-1G-0/0/LCS/LCS/LCS/LCS	GigaCore 16tf 1G 0/0/LCS/LCS/LCS/LCS

10Gb Models   Product number	Description
<b>etherCON</b>	
LU 01 00100-10G-POE-0/0/ETC/ETC/ETC/ETC	GigaCore 16tf 10G POE 0/0/ETC/ETC/ETC/ETC
LU 01 00100-10G-POE-ETC/ETC/0/0/ETC/ETC	GigaCore 16tf 10G POE ETC/ETC/0/0/ETC/ETC
LU 01 00100-10G-0/0/ETC/ETC/ETC/ETC	GigaCore 16tf 10G 0/0/ETC/ETC/ETC/ETC
LU 01 00100-10G-ETC/ETC/0/0/ETC/ETC	GigaCore 16tf 10G ETC/ETC/0/0/ETC/ETC
<b>opticalCON Multi mode</b>	
LU 01 00100-10G-POE-NDM/NDM/0/0/NDM/NDM	GigaCore 16tf 10G POE NDM/NDM/0/0/NDM/NDM
LU 01 00100-10G-POE-0/0/NDM/NDM/NDM/NDM	GigaCore 16tf 10G POE 0/0/NDM/NDM/NDM/NDM
LU 01 00100-10G-NDM/NDM/0/0/NDM/NDM	GigaCore 16tf 10G NDM/NDM/0/0/NDM/NDM
LU 01 00100-10G-0/0/NDM/NDM/NDM/NDM	GigaCore 16tf 10G 0/0/NDM/NDM/NDM/NDM
<b>opticalCON DUO Multi mode + etherCON</b>	
LU 01 00100-10G-POE-NDM/NDM/0/0/ETC/ETC	GigaCore 16tf 10G POE NDM/NDM/0/0/ETC/ETC
LU 01 00100-10G-POE-ETC/ETC/0/0/NDM/NDM	GigaCore 16tf 10G POE ETC/ETC/0/0/NDM/NDM
LU 01 00100-10G-NDM/NDM/0/0/ETC/ETC	GigaCore 16tf 10G NDM/NDM/0/0/ETC/ETC
LU 01 00100-10G-ETC/ETC/0/0/NDM/NDM	GigaCore 16tf 10G ETC/ETC/0/0/NDM/NDM



10Gb Models   Product number	Description
<b>opticalCON DUO Single mode</b>	
LU 01 00100-10G-POE-NDS/NDS/0/0/NDS/NDS	GigaCore 16tf 10G POE NDS/NDS/0/0/NDS/NDS
LU 01 00100-10G-POE-0/0/NDS/NDS/NDS/NDS	GigaCore 16tf 10G POE 0/0/NDS/NDS/NDS/NDS
LU 01 00100-10G-NDS/NDS/0/0/NDS/NDS	GigaCore 16tf 10G NDS/NDS/0/0/NDS/NDS
LU 01 00100-10G-0/0/NDS/NDS/NDS/NDS	GigaCore 16tf 10G 0/0/NDS/NDS/NDS/NDS
<b>opticalCON DUO Single mode + etherCON</b>	
LU 01 00100-10G-POE-NDS/NDS/0/0/ETC/ETC	GigaCore 16tf 10G POE NDS/NDS/0/0/ETC/ETC
LU 01 00100-10G-POE-ETC/ETC/0/0/NDS/NDS	GigaCore 16tf 10G POE ETC/ETC/0/0/NDS/NDS
LU 01 00100-10G-NDS/NDS/0/0/ETC/ETC	GigaCore 16tf 10G NDS/NDS/0/0/ETC/ETC
LU 01 00100-10G-ETC/ETC/0/0/NDS/NDS	GigaCore 16tf 10G ETC/ETC/0/0/NDS/NDS
<b>opticalCON QUAD Multi mode</b>	
LU 01 00100-10G-POE-NQM/0M/0/0/NQM/0M	GigaCore 16tf 10G POE NQM/0M/0/0/NQM/0M
LU 01 00100-10G-POE-NQM/NQM/0/0/0M/0M	GigaCore 16tf 10G POE NQM/NQM/0/0/0M/0M
LU 01 00100-10G-POE-0/0/NQM/0M/NQM/0M	GigaCore 16tf 10G POE 0/0/NQM/0M/NQM/0M
LU 01 00100-10G-NQM/0M/0/0/NQM/0M	GigaCore 16tf 10G NQM/0M/0/0/NQM/0M
LU 01 00100-10G-NQM/NQM/0/0/0M/0M	GigaCore 16tf 10G NQM/NQM/0/0/0M/0M
LU 01 00100-10G-0/0/NQM/0M/NQM/0M	GigaCore 16tf 10G 0/0/NQM/0M/NQM/0M
<b>opticalCON QUAD Multi mode + etherCON</b>	
LU 01 00100-10G-POE-NQM/0M/0/0/ETC/ETC	GigaCore 16tf 10G POE NQM/0M/0/0/ETC/ETC
LU 01 00100-10G-POE-ETC/ETC/0/0/NQM/0M	GigaCore 16tf 10G POE ETC/ETC/0/0/NQM/0M
LU 01 00100-10G-NQM/0M/0/0/ETC/ETC	GigaCore 16tf 10G NQM/0M/0/0/ETC/ETC
LU 01 00100-10G-ETC/ETC/0/0/NQM/0M	GigaCore 16tf 10G ETC/ETC/0/0/NQM/0M
<b>opticalCON QUAD Multi mode + etherCON</b>	
LU 01 00100-10G-POE-NQS/0S/0/0/NQS/0S	GigaCore 16tf 10G POE NQS/0S/0/0/NQS/0S
LU 01 00100-10G-POE-NQS/NQS/0/0/0S/0S	GigaCore 16tf 10G POE NQS/NQS/0/0/0S/0S
LU 01 00100-10G-POE-0/0/NQS/0S/NQS/0S	GigaCore 16tf 10G POE 0/0/NQS/0S/NQS/0S
LU 01 00100-10G-NQS/0S/0/0/NQS/0S	GigaCore 16tf 10G NQS/0S/0/0/NQS/0S
LU 01 00100-10G-NQS/NQS/0/0/0S/0S	GigaCore 16tf 10G NQS/NQS/0/0/0S/0S
LU 01 00100-10G-0/0/NQS/0S/NQS/0S	GigaCore 16tf 10G 0/0/NQS/0S/NQS/0S
<b>opticalCON QUAD Single mode + etherCON</b>	
LU 01 00100-10G-POE-NQS/0S/0/0/ETC/ETC	GigaCore 16tf 10G POE NQS/0S/0/0/ETC/ETC
LU 01 00100-10G-POE-ETC/ETC/0/0/NQS/0S	GigaCore 16tf 10G POE ETC/ETC/0/0/NQS/0S
LU 01 00100-10G-NQS/0S/0/0/ETC/ETC	GigaCore 16tf 10G NQS/0S/0/0/ETC/ETC
LU 01 00100-10G-ETC/ETC/0/0/NQS/0S	GigaCore 16tf 10G ETC/ETC/0/0/NQS/0S
<b>FiberFox 2ch Multi mode + etherCON</b>	
LU 01 00100-10G-POE-ETC/ETC/0/0/F2M/F2M	GigaCore 16tf 10G POE ETC/ETC/0/0/F2M/F2M
LU 01 00100-10G-ETC/ETC/0/0/F2M/F2M	GigaCore 16tf 10G ETC/ETC/0/0/F2M/F2M
<b>Fiberfox 2ch Single mode</b>	
LU 01 00100-10G-POE-F2S/F2S/0/0/F2S/F2S	GigaCore 16tf 10G POE F2S/F2S/0/0/F2S/F2S
LU 01 00100-10G-POE-0/0/F2S/F2S/F2S/F2S	GigaCore 16tf 10G POE 0/0/F2S/F2S/F2S/F2S
LU 01 00100-10G-F2S/F2S/0/0/F2S/F2S	GigaCore 16tf 10G F2S/F2S/0/0/F2S/F2S
LU 01 00100-10G-0/0/F2S/F2S/F2S/F2S	GigaCore 16tf 10G 0/0/F2S/F2S/F2S/F2S
<b>Fiberfox 2ch Single mode + etherCON</b>	
LU 01 00100-10G-POE-F2S/F2S/0/0/ETC/ETC	GigaCore 16tf 10G POE F2S/F2S/0/0/ETC/ETC
LU 01 00100-10G-POE-ETC/ETC/0/0/F2S/F2S	GigaCore 16tf 10G POE ETC/ETC/0/0/F2S/F2S
LU 01 00100-10G-F2S/F2S/0/0/ETC/ETC	GigaCore 16tf 10G F2S/F2S/0/0/ETC/ETC
LU 01 00100-10G-ETC/ETC/0/0/F2S/F2S	GigaCore 16tf 10G ETC/ETC/0/0/F2S/F2S
<b>Fiberfox 4ch Multi mode + etherCON</b>	
LU 01 00100-10G-POE-ETC/ETC/0/0/F4M/0M	GigaCore 16tf 10G POE ETC/ETC/0/0/F4M/0M
LU 01 00100-10G-ETC/ETC/0/0/F4M/0M	GigaCore 16tf 10G ETC/ETC/0/0/F4M/0M
<b>Fiberfox 4ch Single mode</b>	
LU 01 00100-10G-POE-F4S/0S/0/0/F4S/0S	GigaCore 16tf 10G POE F4S/0S/0/0/F4S/0S
LU 01 00100-10G-POE-F4S/F4S/0/0/0S/0S	GigaCore 16tf 10G POE F4S/F4S/0/0/0S/0S
LU 01 00100-10G-POE-0/0/F4S/0S/F4S/0S	GigaCore 16tf 10G POE 0/0/F4S/0S/F4S/0S
LU 01 00100-10G-F4S/0S/0/0/F4S/0S	GigaCore 16tf 10G F4S/0S/0/0/F4S/0S
LU 01 00100-10G-F4S/F4S/0/0/0S/0S	GigaCore 16tf 10G F4S/F4S/0/0/0S/0S
LU 01 00100-10G-0/0/F4S/0S/F4S/0S	GigaCore 16tf 10G 0/0/F4S/0S/F4S/0S

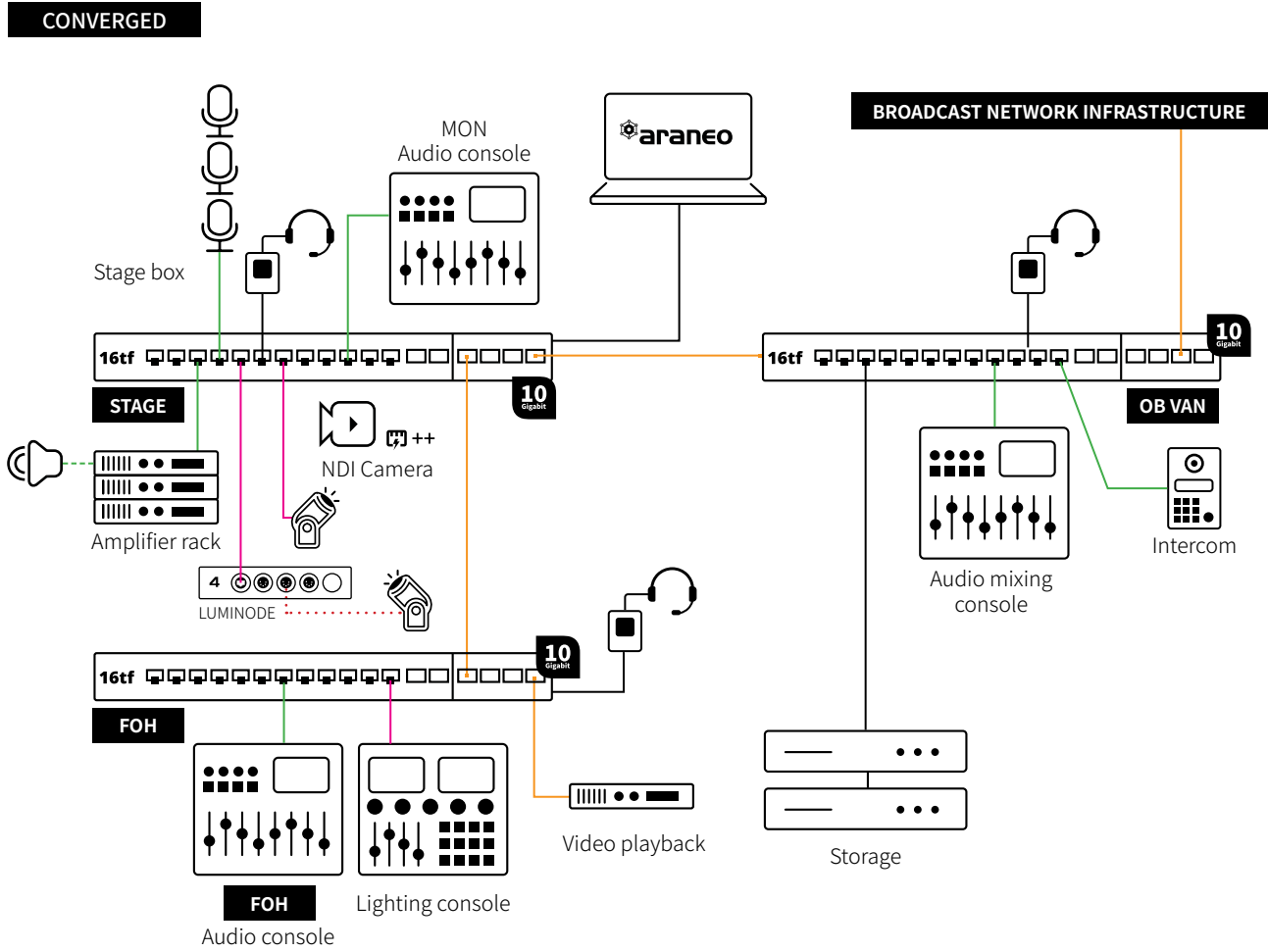


10Gb Models   Product number	Description
<b>Fiberfox 4ch Single mode + etherCON</b>	
LU 01 00100-10G-POE-F4S/0S/0/0/ETC/ETC	GigaCore 16tf 10G POE F4S/0S/0/0/ETC/ETC
LU 01 00100-10G-POE-ETC/ETC/0/0/F4S/0S	GigaCore 16tf 10G POE ETC/ETC/0/0/F4S/0S
LU 01 00100-10G-F4S/0S/0/0/ETC/ETC	GigaCore 16tf 10G F4S/0S/0/0/ETC/ETC
LU 01 00100-10G-ETC/ETC/0/0/F4S/0S	GigaCore 16tf 10G ETC/ETC/0/0/F4S/0S
<b>LC feed through Multi mode</b>	
LU 01 00100-10G-POE-0/0/LCM/LCM/LCM/LCM	GigaCore 16tf 10G POE 0/0/LCM/LCM/LCM/LCM
LU 01 00100-10G-0/0/LCM/LCM/LCM/LCM	GigaCore 16tf 10G 0/0/LCM/LCM/LCM/LCM
<b>LC feed through Single mode</b>	
LU 01 00100-10G-POE-0/0/LCS/LCS/LCS/LCS	GigaCore 16tf 10G POE 0/0/LCS/LCS/LCS/LCS
LU 01 00100-10G-0/0/LCS/LCS/LCS/LCS	GigaCore 16tf 10G 0/0/LCS/LCS/LCS/LCS





## 2. Application Diagram



**VLAN ID**

- 10 Gigabit fiber
- Audio | Dante, AES67
- Video | NDI
- Light | sACN
- DMX
- PoE++ PoE++



### 3. Technical Specifications

<b>MECHANICAL</b>		<b>GigaCore 16tf</b>
Enclosure	Robust all metal housing	
Dimensions (WxDxH)	482 x 237.6 x 44 mm (19" x 9.35" x 1.73")	
Material thickness	2 mm	
Mounting type	Rack mount	
Weight	4kg	
Packaging dimensions	550 mm x 335mm x 68 mm	
Packaged weight	4,24kg	
<b>CONNECTIVITY</b>		
Network	12x Gigabit (10/100/1000 BASE-T) EtherCon connectors on front panel Optional: <ul style="list-style-type: none"> <li>• 2x 10 Gbps / 1 Gbps rugged fiber connectors on front panel, independent from other ports AND</li> <li>• 2x 10 Gbps / 1 Gbps rugged fiber connectors on rear panel, independent from other ports OR</li> <li>• 4x 10 Gbps / 1 Gbps rugged fiber connectors on rear panel, independent from other ports</li> </ul>	
Power	1x powerCON True1 in/out	
Backup power	Through proprietary connector and optional RPSU (PoE model only)	
Backup PoE	Through proprietary connector and optional RPSU	
<b>TEMPERATURE MANAGEMENT</b>		
Intelligent control	Yes	
Number of fans	2	
Position of fans	side panel	
Airflow direction	Right to left	
<b>USER INTERFACE</b>		
Device status	RGB LEDs <ul style="list-style-type: none"> <li>• OK</li> <li>• Power</li> <li>• RLinkX</li> <li>• PoE</li> </ul>	
LCD Display & Jog	No	
Dynamic labeling	E-ink Display	
Fiber port status	2x RGB LED Port Speed/Activity Port Status <ul style="list-style-type: none"> <li>• Group indication</li> </ul>	
Copper port status	2x RGB LED Port Speed/Activity Port Status <ul style="list-style-type: none"> <li>• Group indication</li> <li>• PoE</li> </ul>	
<b>FIBER PORT SPECIFICATIONS</b>		
Port speed	10G BASE-X or 1000 BASE-X	
Port sensing	Fixed speed	
<b>COPPER PORT SPECIFICATIONS</b>		
Port speed	10/100/1000 BASE-T	
Port sensing	Auto Negotiation	
Auto crossover	MDI/MDIX (allows use of straight or cross wired cable)	
Auto sensing	Full or Half Duplex (Gigabit is Full Duplex)	



<b>POWER OVER ETHERNET</b>	
	<b>GigaCore 16tf</b>
Standards	802.3af 802.3at 802.3bt
Total PoE power budget	Mains 100 - 240 VAC: 450 W 850 W (With RPSU 5580)
LLDP Support	Yes
Power allocation	User configurable: <ul style="list-style-type: none"> <li>• Priority per port</li> <li>• Consumption vs Class/LLDP based</li> </ul>
Power limit	<ul style="list-style-type: none"> <li>• Total power budget firmware limit – port shutdown at overload based on port priority</li> <li>• Per port hardware and firmware power limits based on classification – port shutdown at overload</li> </ul>
<b>SWITCH FEATURES</b>	
Boot time	45 s
Redundant links (RLinkX)	Yes
Link Aggregation (MultiLinkX)	Yes
Group function (VLANS)	Yes
Ethernet compliance	IEEE 802.2 IEEE 802.3 IEEE 802.3u IEEE 802.3x Flow Control IEEE 802.3ab Gigabit Ethernet IEEE 802.3af PoE(optional) IEEE 802.3at PoE+(optional) IEEE 802.3bt PoE++ 90W(optional) IEEE 802.3ae IEEE 802.1p CoS IEEE 802.1d Spanning Tree IEEE 802.1w Rapid Spanning Tree IEEE 802.1s Multiple Spanning Tree IEEE 802.1Q VLAN IEEE 802.1Qav MVRP IEEE 802.1 BA-2011 -> AVB (Audio Video Bridging) IEEE 802.1ab LLDP IEEE 1588-2008 PTPv2 IETF RFC2710 IETF RFC3810
Jumbo frames	Yes, supported up to 12000 MTU (with restrictions when using AVB)
Supported protocols	Avnu AVB/Milan (Free of license) Dante RAVENNA/AES67 Ethersound Q-SYS/Q-LAN IPMX sACN ArtNet MANet HogNet RTTrPL (BlackTrax) ...



Audio protocol compliance	Yes, low jitter and hardware timestamping (IEEE 1588-2008)
Ethernet switch type	Full non- blocking wire-speed switching performance
Memory	Flash 1 Gb RAM – 8 Mb NOR flash 4 Gb EMMC storage
MAC Address table	16384 entries
Address learning / aging	Self learning, Auto aging
Switching Capacity	104Gbps (10Gbps versions)
Switching Throughput	77381 Mpps
IGMP Querrier	Yes (V1 V2) (V3 compatible)
IGMP Snooping	Yes, enabled by default (V1 V2 V3)
<b>MANAGEMENT</b>	
Configuration	Built-in WebUI
Network wide configuration	Yes, with Araneo software
Firmware upgrades	Via WebUI or network wide with Araneo - Contingency option with second FW file stored
<b>POWER</b>	
Power input	100-240 VAC
Backup power	Yes with 2nd PSU (Note the second PSU connectivity is only offered on the PoE++Models.)
Backup PoE	Yes with 2nd PSU
Power consumption	Max 50W - Max 1050W (Depending on PoE and PSU configuration)
<b>ENVIRONMENTAL</b>	
Operating temperature	0 to +50 °C   0 to 45°C - with RPSU 5580 connected
Storage temperature	-40 to +70 °C
Humidity (non condensing)	5 to 95% RH
<b>APPROVALS</b>	
Electromagnetic emissions and immunity	FCC Part 15 CFR 47 class A CAN/ICES-003 EN 61000 EN 55032 EN 55024
Safety	IEC 62368-1 EN 62368-1 UL 62368-1 CAN/CSA-C22.2 No. 62368-1
Certificates and approvals	cSGSUS Mark (UL) CE Mark UKCA Mark CB Certificate
Green	RoHS REACH



**GIGACORE 16tf**



## GIGACORE 16tf

